



**ACURA**

# INSTALLATION INSTRUCTIONS

Accessory

**INTERIOR PANEL KIT (FRONT)**

Application

**2006 TL**

Publications No.

**BII 30940**

Issue Date

**SEP 2005**

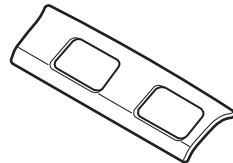
## PARTS LIST

### INTERIOR PANEL KIT

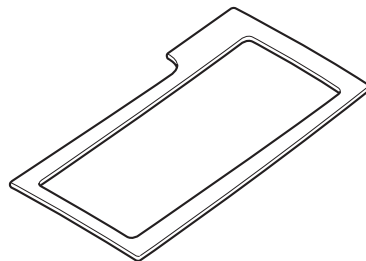
P/N 08Z03-SEP-200B (Carbon-fiber)

P/N 08Z03-SEP-200A (Wood-grain)

Console switch panel



Console center panel



## SUPPLIES REQUIRED

Isopropyl alcohol

Masking tape

Shop towel

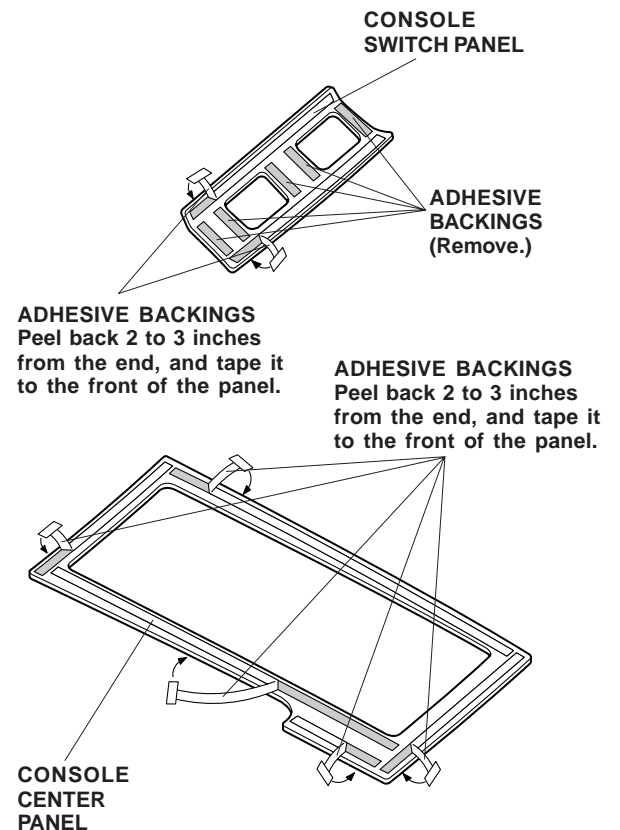
## INSTALLATION

### NOTE:

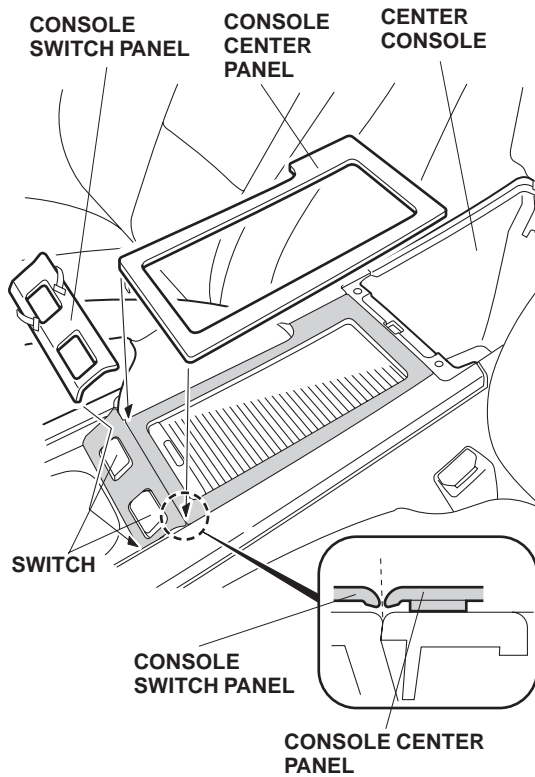
- Be extremely careful not to damage the interior panel.
  - Install the panel only if the ambient air temperature is above 60°F (15°C) or above.
1. Using isopropyl alcohol on a shop towel, thoroughly clean the areas where the panels will be attached.

## Installing the Console Switch Panel and Console Center Panel

2. Attach a strip of masking tape to the end of each outer adhesive backing, and peel back 2 to 3 inches of the adhesive backing as shown. Fold the ends back, and tape them to the surface of the panels. Remove all remaining adhesive backings.



3. Position the console switch panel and console center panel on the existing panels as shown. While applying light pressure on the panels, carefully remove the adhesive backings. Hold the panels firmly against the existing center console with the palm of your hand, particularly at the edges.
  - Position the console switch panel so it does not interfere with the switches.



4. After installing the panels, use the palm of your hand to hold pressure against them for 30 seconds.

#### USE AND CARE

- Use a soft cloth or sponge dampened with a mild detergent and water solution to clean the panels. Do not use polishing waxes containing compounds or degreasing agents to clean the panels.
- Be sure to tell the owner how to care for the panels when delivering the vehicle to the customer.