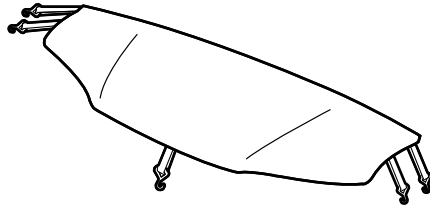
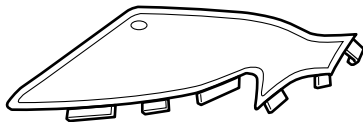


PARTS LIST

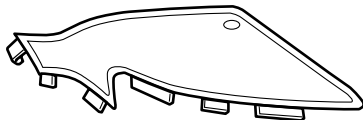
Mask
 (hood section)



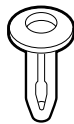
Left side mask
 (fender section)



Right side mask
 (fender section)



2 Clips



2 Snap screws



TOOLS REQUIRED

Phillips screwdriver
 Clip remover

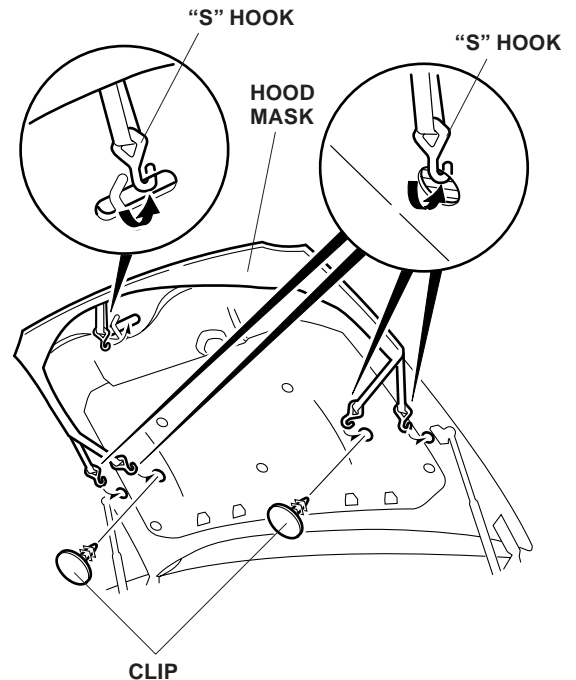
INSTALLATION

NOTE:

- Make sure the vehicle and the nose mask are clean and completely dry before installation. If moisture under the mask is allowed to dry, it may cloud the paint. If the mask gets wet, remove it and allow it to air-dry completely.
- Make sure any repainted surfaces are cured.
- Make sure the hood and nose of the vehicle have been waxed with a high-quality paste wax.
- Make sure to install the nose mask securely. If the nose mask starts to flap or comes loose while driving, safely pull off the highway, stop the vehicle, and secure or remove the mask.

Installing the Hood Section

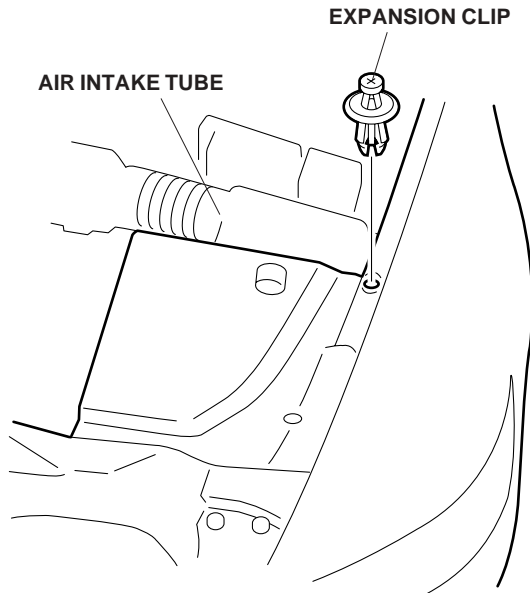
1. Open the hood. Remove two clips from the hood insulator.



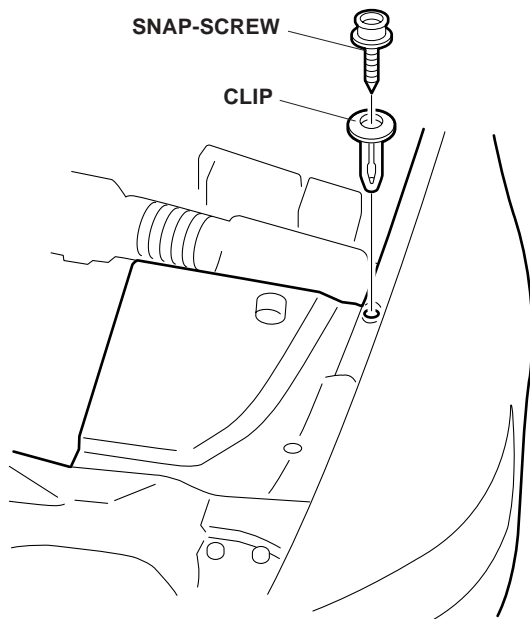
2. Fit the corners of the hood section around the hood. Adjust the mask so that it fits smoothly over the edges. Attach the five "S" hooks to the hood.

Installing the Fender Section

- Using a Phillips screwdriver, remove the expansion clip from the left front fender.

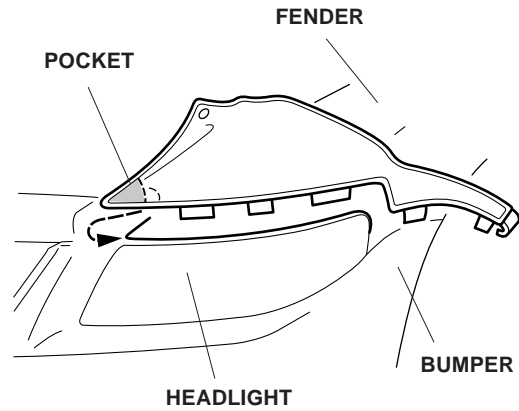


- Install one new clip with a snap-screw into the hole where you removed the clip, and tighten the snap-screw.



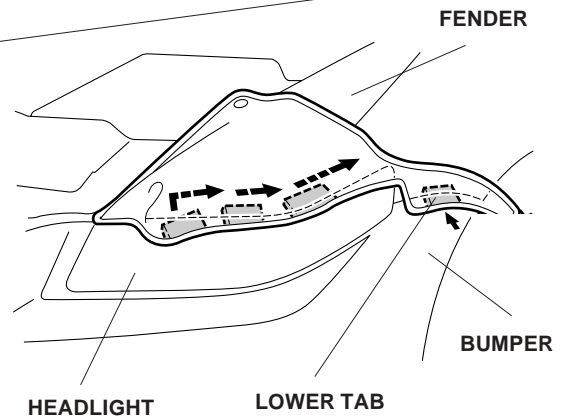
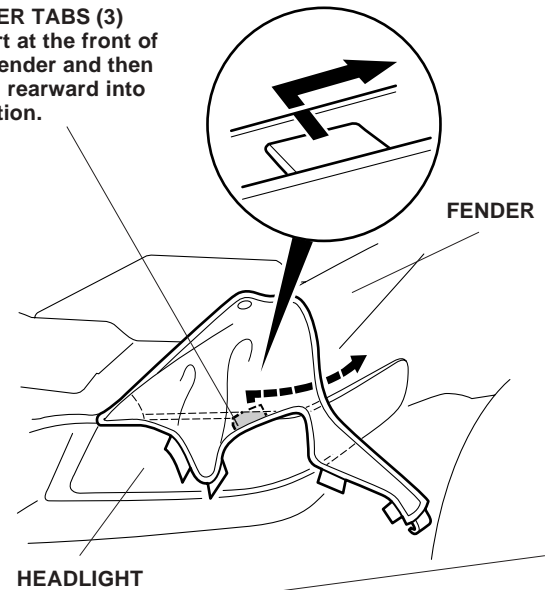
- Repeat steps 3 and 4 to install a snap-screw on the right side of the vehicle.

- Pull the mask toward the fender, and slip the pocket of the fender section onto the front corner of the fender.

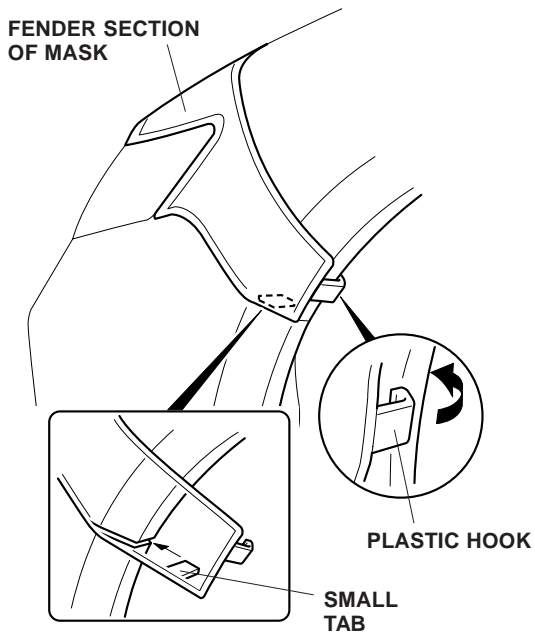


- Insert the three upper tabs into the clearance around the headlight. Start the upper tabs at the front of the headlight, and then slide the tabs rearward into position. Insert the lower tab between the bumper and the fender.

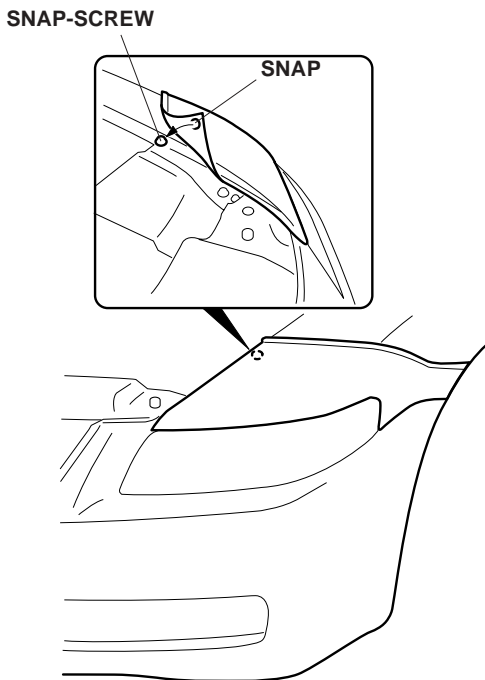
UPPER TABS (3)
Insert at the front of the fender and then slide rearward into position.



- At the left fender/bumper area, insert the small tab from the mask between the bumper and the fender. Attach the plastic hook to the fenderwell.

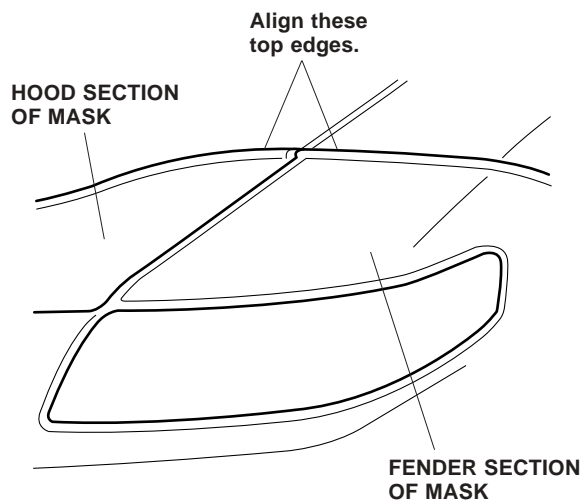


- Attach the snap on the mask to the snap-screw you installed in step 4.



- Repeat steps 6 thru 9 to attach the fender section of the mask to the right side of the vehicle.

- Close the hood. Align the top edge of the hood section with the top edge of the fender section.



- Give these instructions, the two clips (removed in step 1), and the two expansion clips (removed in step 3) to your customer.

CLEANING THE NOSE MASK

Use a sponge or cloth and a solution of mild liquid dishwashing soap and water to clean the vinyl and the flannel backing. Rinse the mask completely with clean water, and hang it to dry out of direct sunlight. Make sure the mask is completely dry before you reinstall it.