



# INSTALLATION INSTRUCTIONS

Accessory

**GOLD EMBLEM  
P/N 08F20-SJA-200**

Application

**2006 RL**

Publications No.

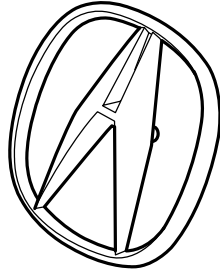
**BII 31142**

Issue Date

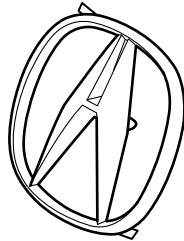
**OCT 2005**

## PARTS LIST

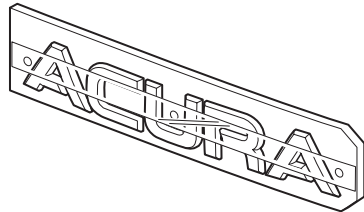
Front gold "A" emblem



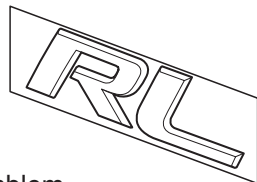
Rear gold "A" emblem



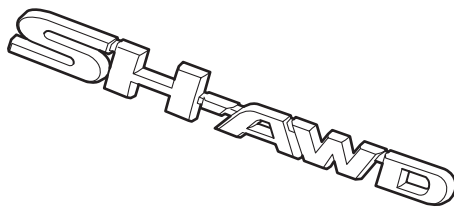
Rear gold "ACURA" emblem



Rear gold "RL" emblem



Rear gold "SH-AWD" emblem



## TOOLS AND SUPPLIES REQUIRED

Phillips screwdriver  
Shop towel  
Masking tape  
Isopropyl alcohol  
Flat-tip screwdriver  
String

## INSTALLATION

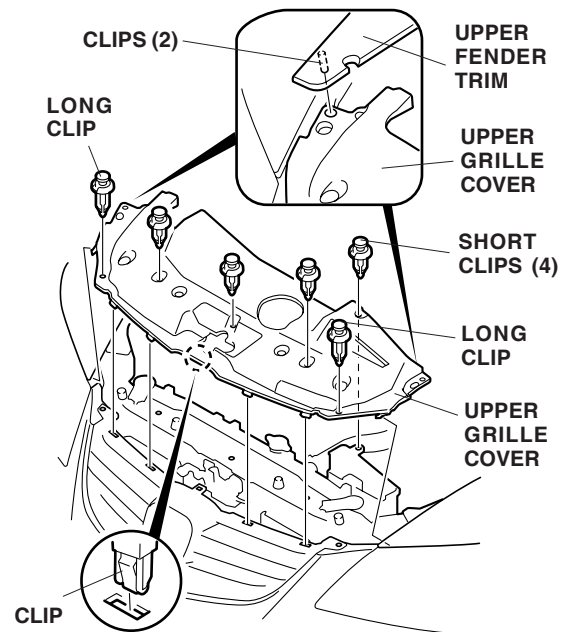
**Customer Information:** The information in this installation instruction is intended for use only by skilled technicians who have the proper tools, equipment, and training to correctly and safely add equipment to your vehicle. These procedures should not be attempted by "do-it-yourselfers."

### NOTE:

- Be careful not to damage the body paint.
- This emblem kit should only be installed if the ambient air temperature is 60°F (15°C) or above.
- To allow the adhesive to "cure", do not wash the car for 24 hours.

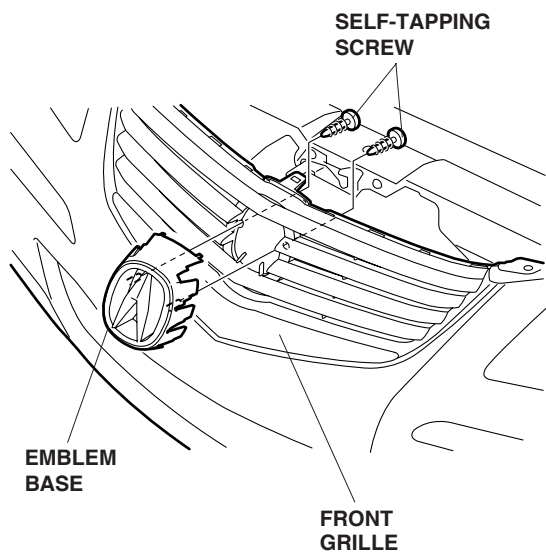
### Installing the Front "A" Emblem

1. Open the hood. Remove the front clip in the left and right upper fender trim from the grille cover.

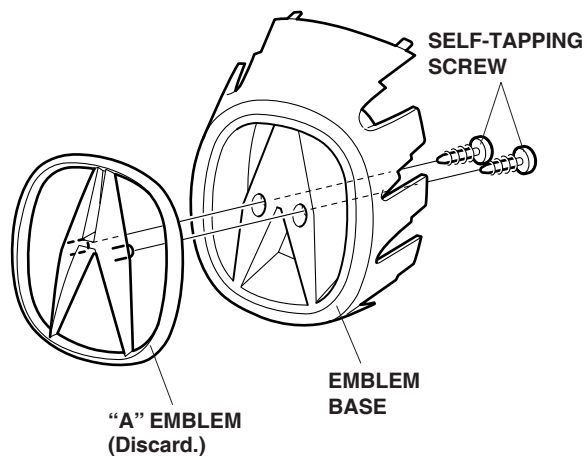


2. Remove the upper grille cover (two long clips and four short clips).

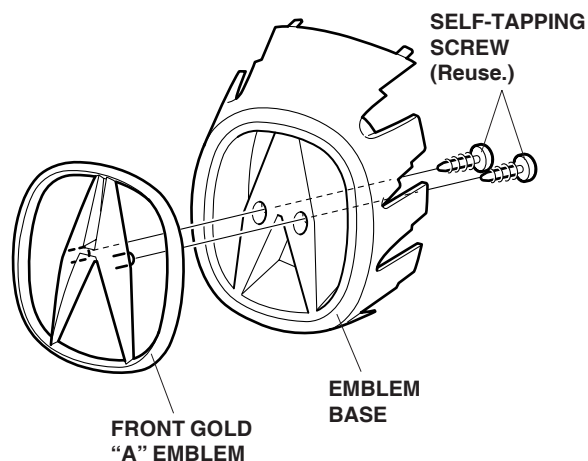
3. Remove the two self-tapping screws that fasten the emblem base to the front grille and remove the emblem base.



4. Remove the two self-tapping screws that secure the existing "A" emblem to the emblem base, and remove the emblem.



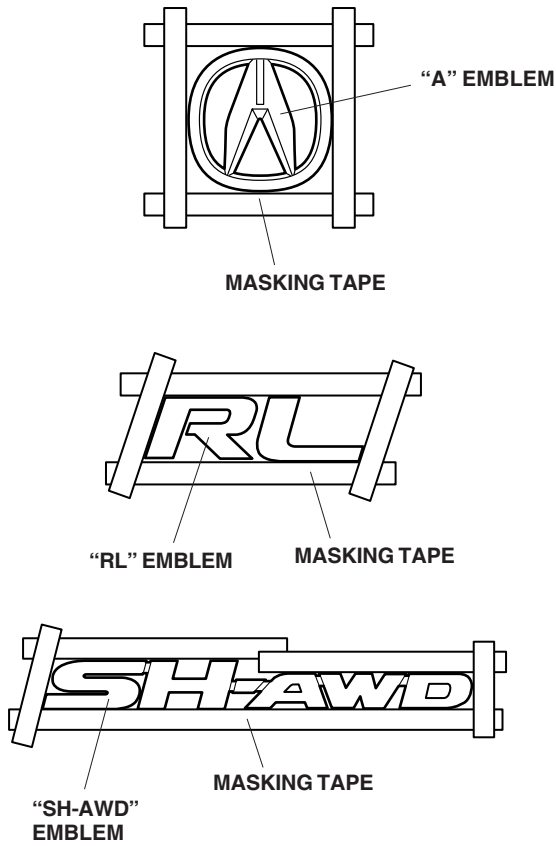
5. Slide the pins from the gold "A" emblem into the holes in the emblem base and reinstall the two self-tapping screws you removed.



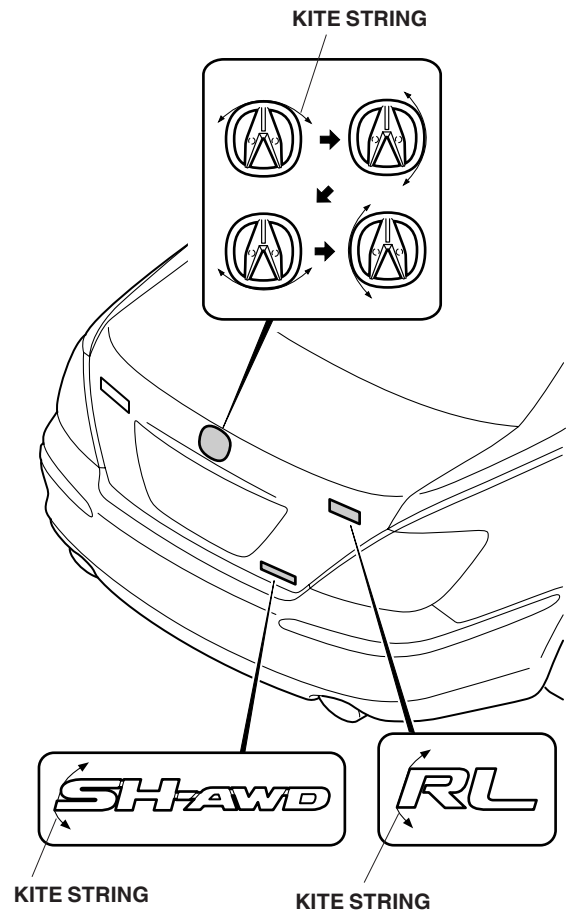
6. Reinstall the emblem base, the upper grille cover, and the right and left upper fender trims.

**Installing the Rear “A”, “RL” and “SH-AWD” Emblems**

- To prevent damage to the paint and to help you position the gold emblems, attach masking tape around the original rear “A”, “RL” and “SH-AWD” emblems.

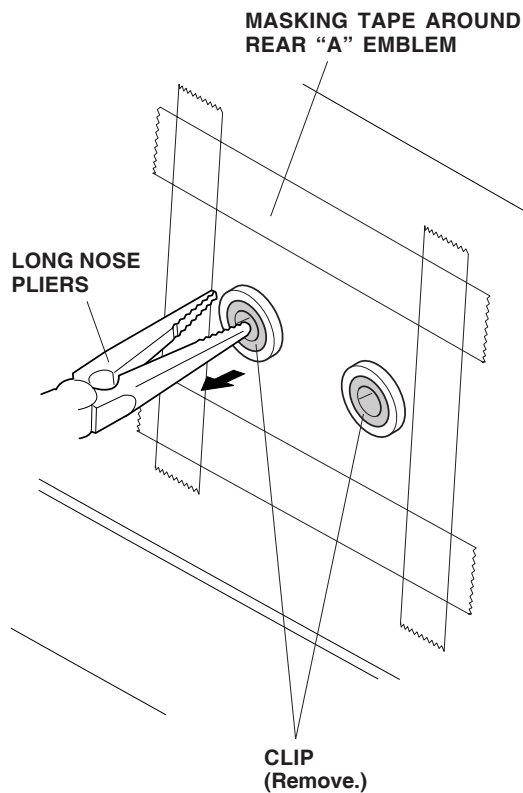


- Remove the original emblems by cutting the outer edges with a piece of string. Note the location of the retaining pins on the back of the original “A” emblem when cutting the edges.

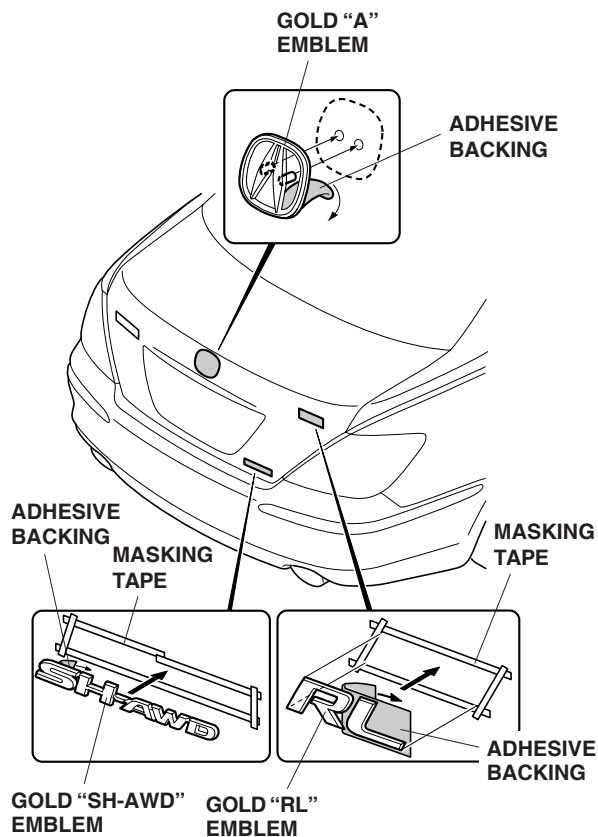


- Remove the original “A”, “RL” and “SH-AWD” emblems.

10. If any clip(s) from the “A” emblem remain in the vehicle body panel, carefully remove the clip(s) using long nose pliers.



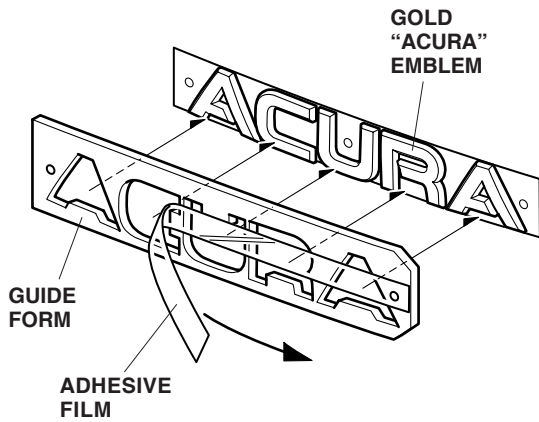
11. Using isopropyl alcohol on a shop towel, thoroughly clean the areas where the new gold emblems will attach.



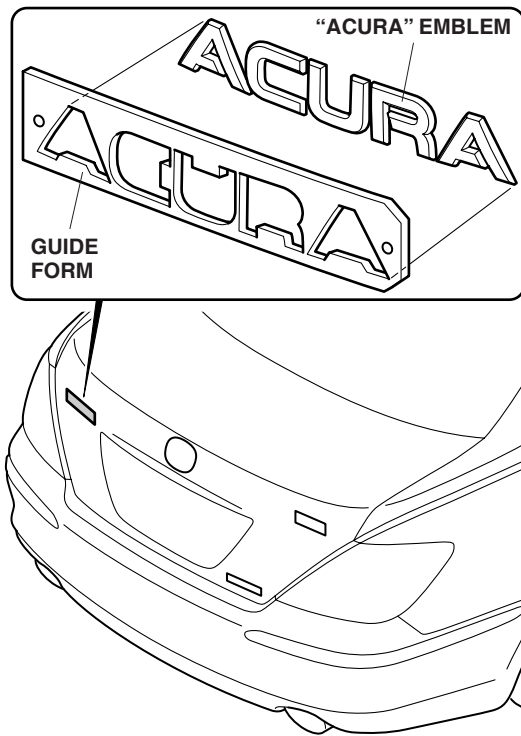
12. Remove the adhesive backings from the gold “A”, “RL” and “SH-AWD” emblems and attach them to the trunk lid so they line up with the tape. Hold the gold emblems firmly against the trunk lid with the palm of your hand for 30 seconds.
13. Remove the masking tape.

### Installing the Rear "ACURA" Emblem

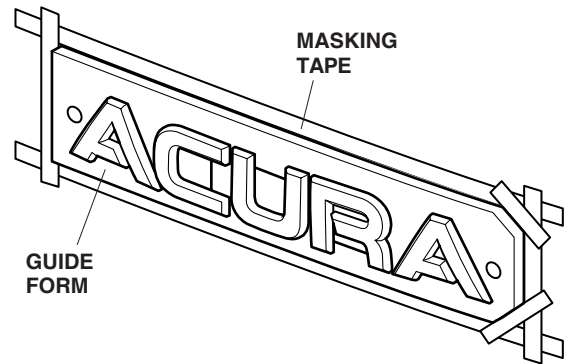
14. Remove the adhesive film from the gold "ACURA" emblem. Remove the "ACURA" emblem from the guide form.



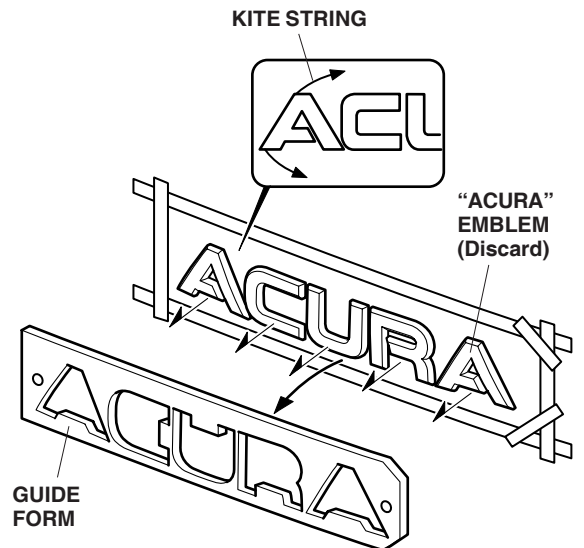
15. Position the guide form over the existing "ACURA" emblem on the vehicle.



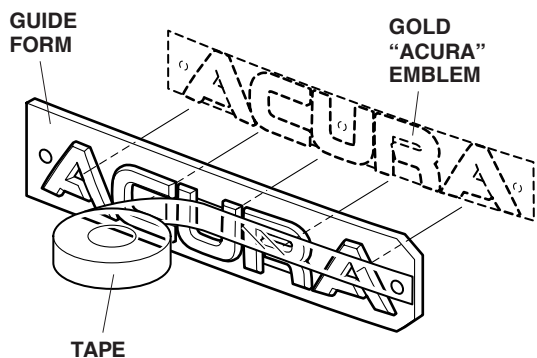
16. Attach masking tape around the guide form. Remove the guide form.



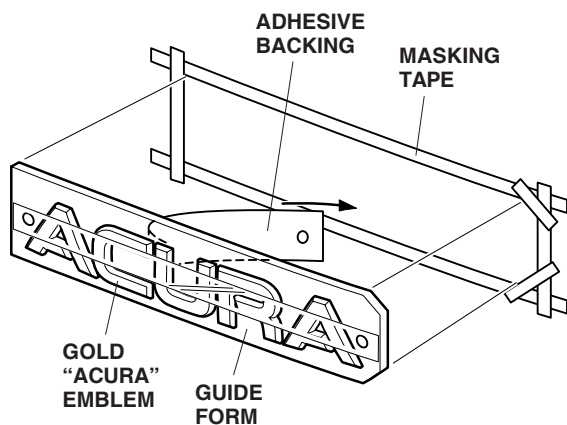
17. Remove the original emblem by cutting the outer edges with a piece of string.



18. Place the gold “ACURA” emblem back into the guide form, and temporarily secure the gold emblem to the guide form with tape.



19. Using isopropyl alcohol on a shop towel, thoroughly clean the area where the gold “ACURA” emblem will attach.



20. Remove the adhesive backing from the rear of the gold “ACURA” emblem and attach it to the trunk lid while aligning the guide form with the masking tape. Hold the gold emblem firmly against the trunk lid with the palm of your hand for 30 seconds.
21. Remove the guide form and masking tape.