



INSTALLATION INSTRUCTIONS

Accessory

WOOD STEERING WHEEL
P/N 08U97-S3V-210A (BLACK)
P/N 08U97-S3V-220A(SADDLE)

Application

2006 MDX

Publications No.

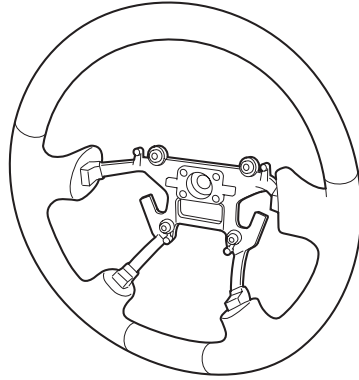
BII 30985

Issue Date

SEP 2005

PARTS LIST

Wood steering wheel



2 Torx bolts, 6 x 12 mm



4 Torx bolts, 6 x 9 mm



TOOLS AND SUPPLIES REQUIRED

Phillips screwdriver

10 mm Combination wrench

Flat-tip screwdriver

19 mm Socket

Ratchet

Torque wrench

Combination wrench

Steering wheel puller

Service Manual

T30 Torx bit

T40 Torx bit

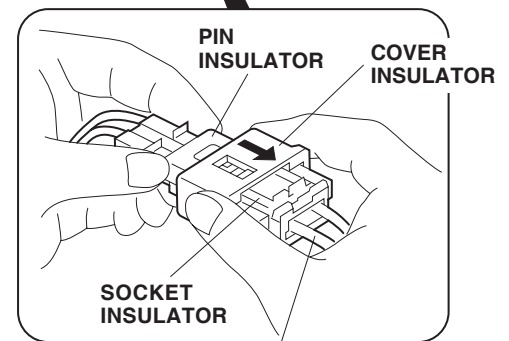
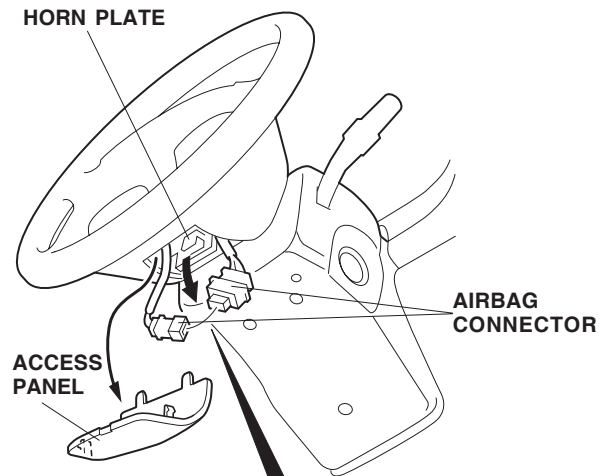
Felt-tip pen

INSTALLATION

Customer Information: The information in this installation instruction is intended for use only by skilled technicians who have the proper tools, equipment, and training to correctly and safely add equipment to your vehicle. These procedures should not be attempted by "do-it-yourselfers."

NOTE: After installing the wood trim steering wheel, you must align the steering wheel spoke angle to the straight ahead position by adjusting the front toe.

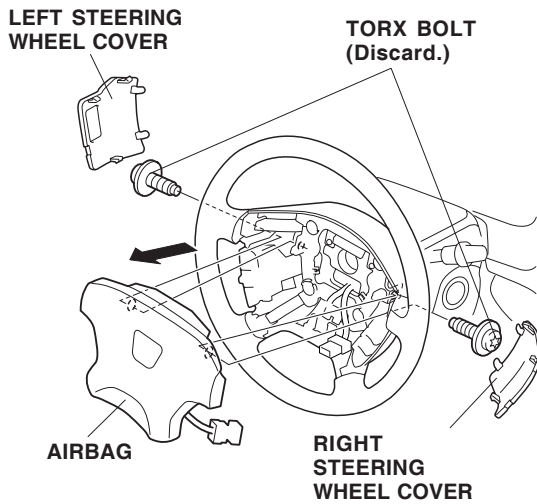
1. Make sure you have the anti-theft code for the radio/navigation unit, then write down the radio station presets.
2. Disconnect the negative cable from the battery, and wait for at least 3 minutes before you start to install the wood steering wheel.
3. Pry up on the retaining tabs, and remove the access panel from the underside of the driver's side airbag.
4. Remove the airbag connector from the horn plate.



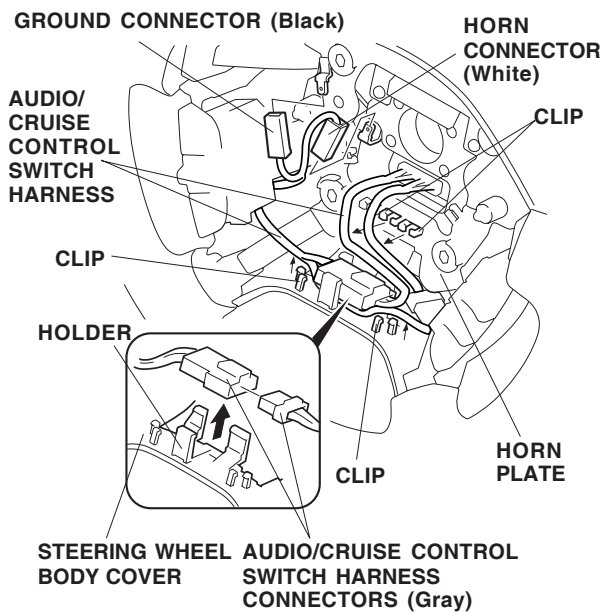
Do not hold onto the harness wires.

5. Unplug the airbag connector. While holding the pin insulator, pull out on the cover insulator. Do not pull on the socket insulator.

- Remove the right and left steering wheel covers, being careful not to damage the retaining tabs.

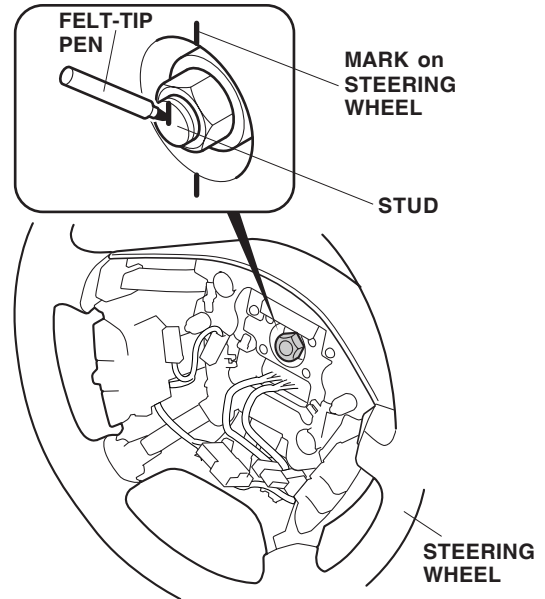


- Remove and discard the two bolts securing the airbag, and remove the airbag. Carefully set the airbag in a secure location with the pad facing up. Do not drop or bump the airbag against anything.
- Turn the steering wheel so the front wheels are in the straight-ahead position.
- Disconnect the horn connector and the ground connector. Release the audio/cruise control switch harness connector from the holder on the steering wheel body cover, and unplug the audio/cruise control switch harness connectors.

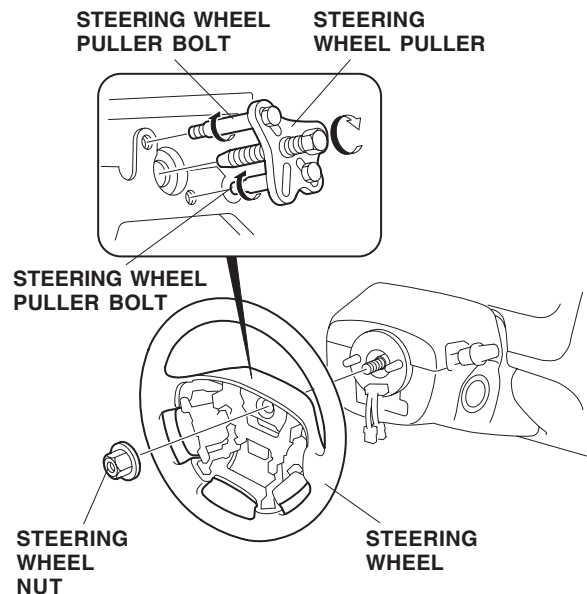


- Release the audio/cruise control switch harnesses from the clips on the horn plate, and the steering wheel body cover.

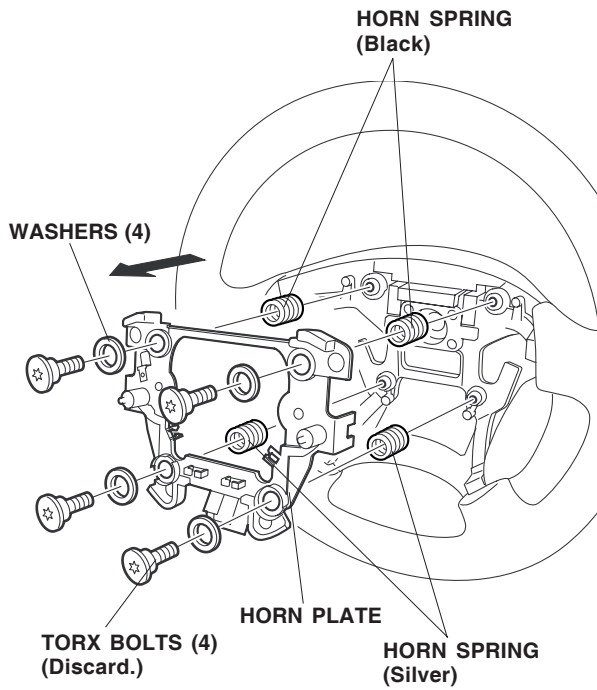
- Using a felt-tip pen, mark the top of the stud at the position corresponding to the mark on the steering wheel as shown.



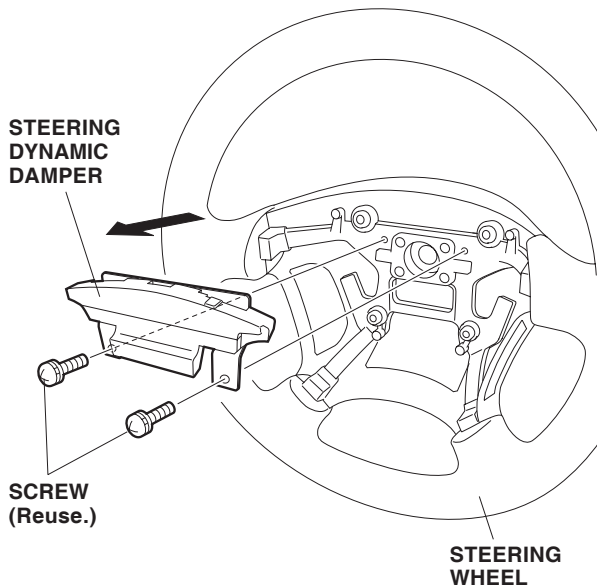
- Remove the steering wheel nut. Using a steering wheel puller, remove the steering wheel. Do not thread the steering wheel puller bolts in more than 10 mm. Be careful not to rotate the steering wheel during removal.



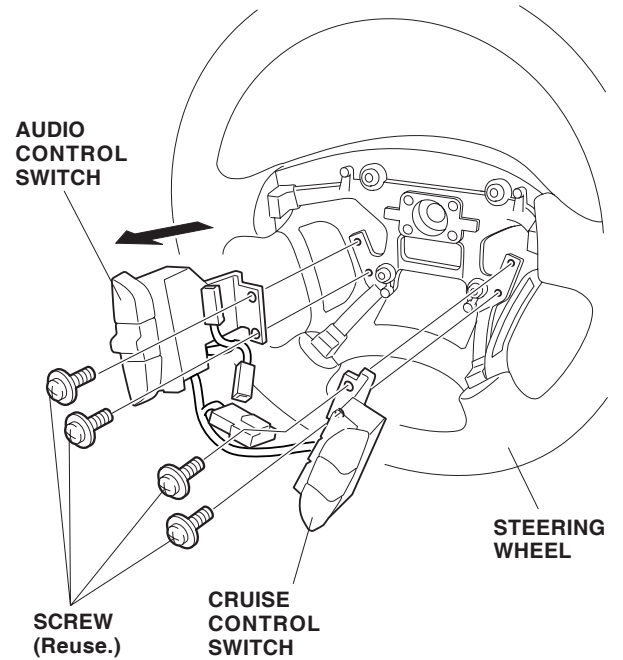
- Using hand tools, remove the four Torx bolts that fasten the horn plate to the steering wheel. Remove the horn plate and the four horn springs. Note the location of the springs.



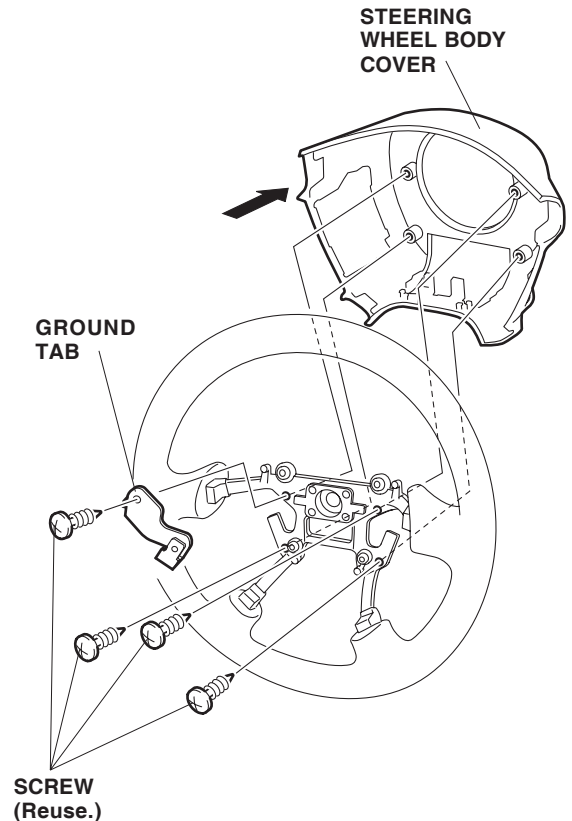
- Remove the steering dynamic damper (two screws).



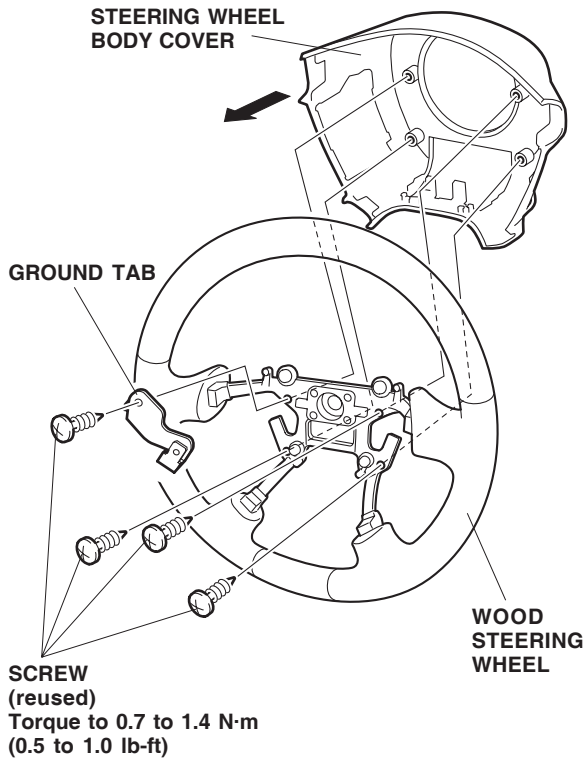
- Remove the two screws that fasten the audio control switch and the two screws that fasten the cruise control switch. Remove the switches.



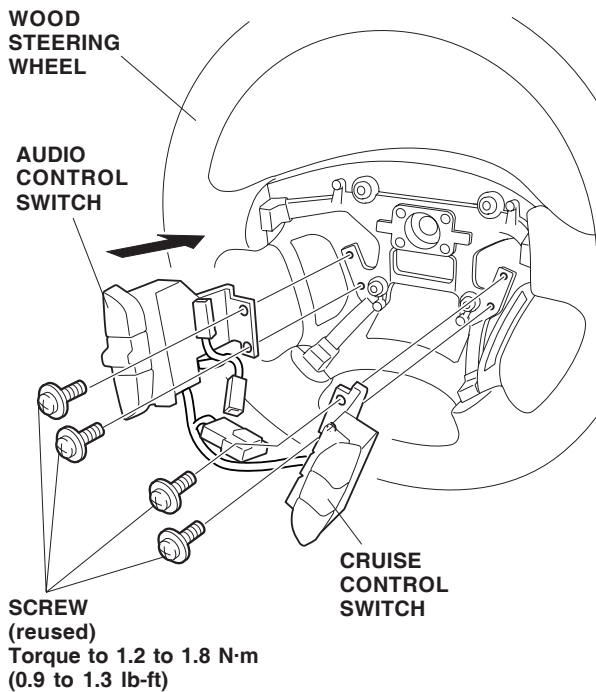
- Remove the ground tab and the steering wheel body cover from the steering wheel (four screws).



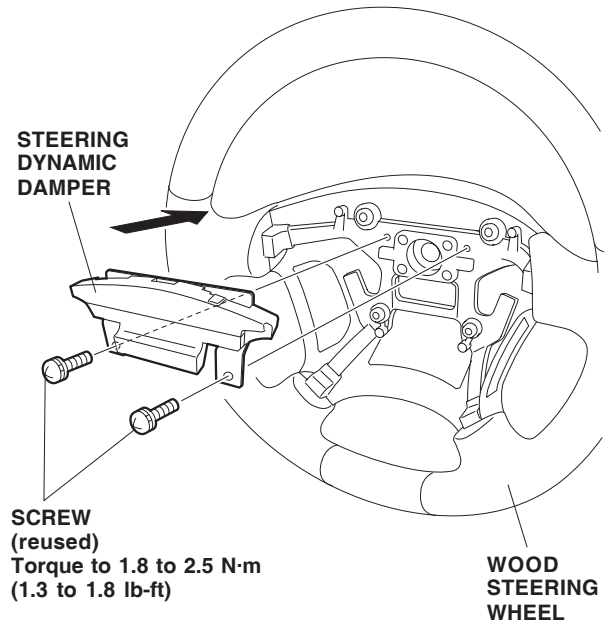
17. Install the ground tab and the steering wheel body cover onto the wood trim steering wheel (four screws). Torque the four screws to 0.7 to 1.4 N·m (0.5 to 1.0 lb-ft).



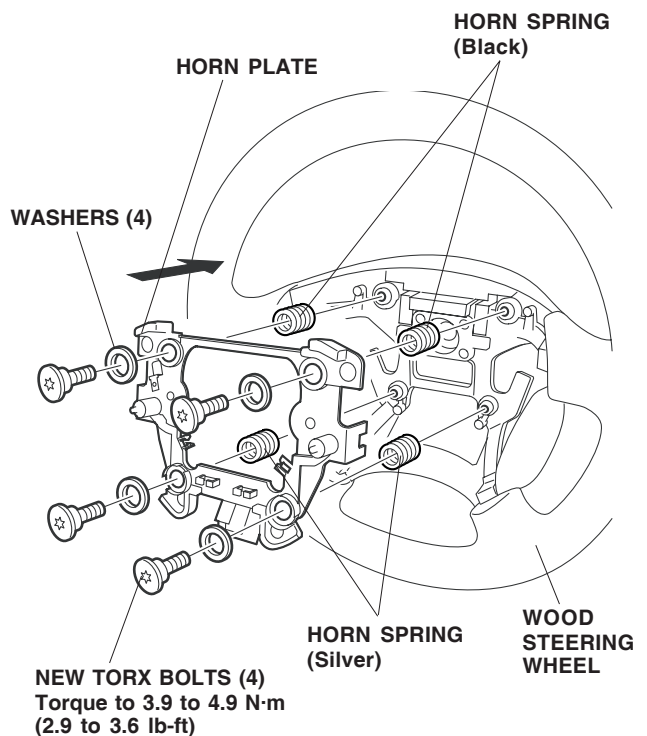
18. Transfer the audio control switch and the cruise control switch to the wood trim steering wheel. Torque the four screws to 1.2 to 1.8 N·m (0.9 to 1.3 lb-ft).



19. Install the steering dynamic damper onto the wood trim steering wheel with two screws. Torque the screws to 1.8 to 2.5 N·m (1.3 to 1.8 lb-ft).



20. Position the four horn springs and the horn plate on the wood trim steering wheel, and install the four Torx bolts supplied. Torque the four Torx bolts to 3.9 to 4.9 N·m (2.9 to 3.6 lb-ft).



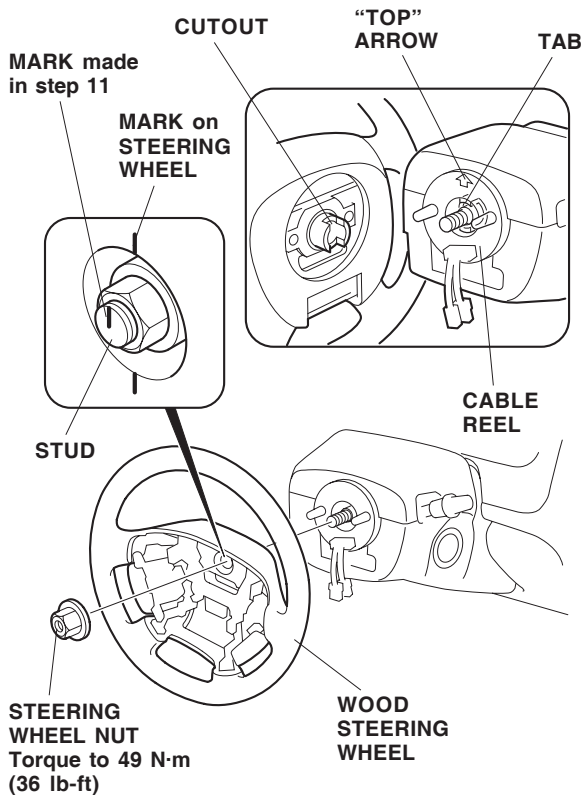
If the cable reel was moved, continue with step 21; if it was not moved, go to step 22.

21. Align the cable reel:

- Rotate the cable reel clockwise all the way until it will no longer go.
- Turn the cable reel counterclockwise about two complete turns until the "TOP" arrow on the cable reel points up.

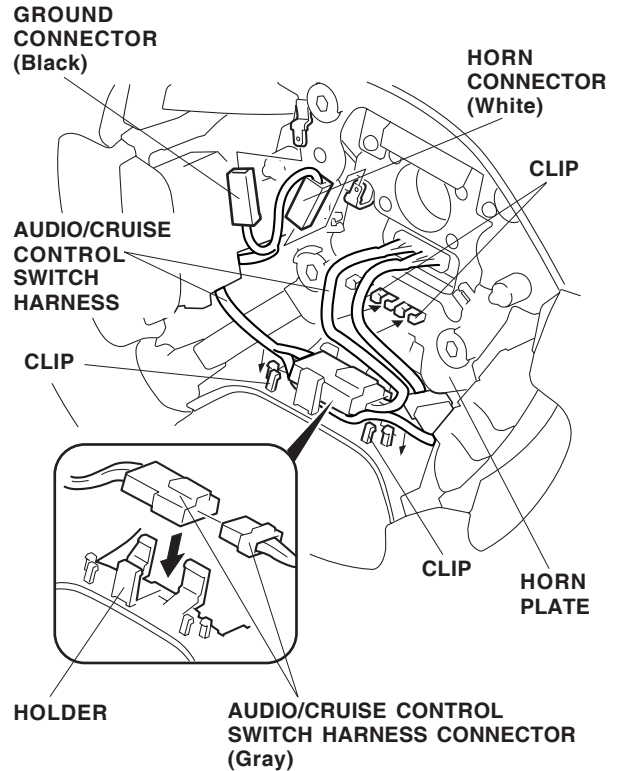
22. Install the wood steering wheel on the steering column shaft in the straight-ahead position:

- Route the wire harnesses through the opening in the wood steering wheel.
- Align the two tabs of the canceling sleeve with the two cutouts in the steering wheel as shown.
- Align the mark made on the top of the stud in step 11 with the mark on the wood trim steering wheel.
- Check that the wire harnesses are not pinched.



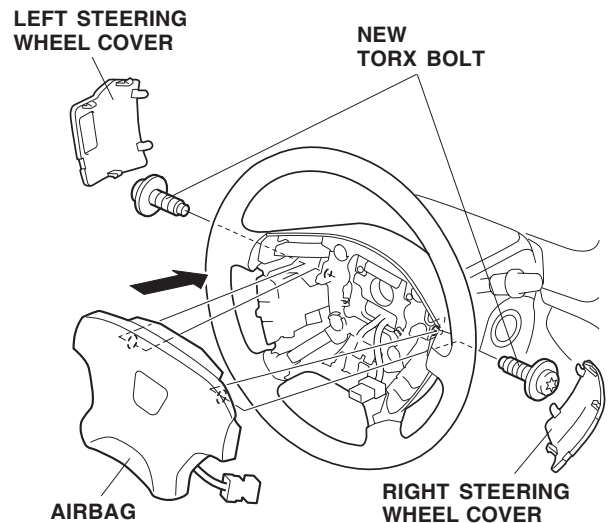
23. Install the steering wheel nut. Torque the steering wheel nut to 49 N·m (36 lb-ft).

24. Connect the ground connector (black) and the horn connector (white) to the ground tab and the horn plate tab. Reconnect the audio/cruise control switch harness connectors.



25. Attach the audio/cruise control switch harnesses to the clips and the holder.

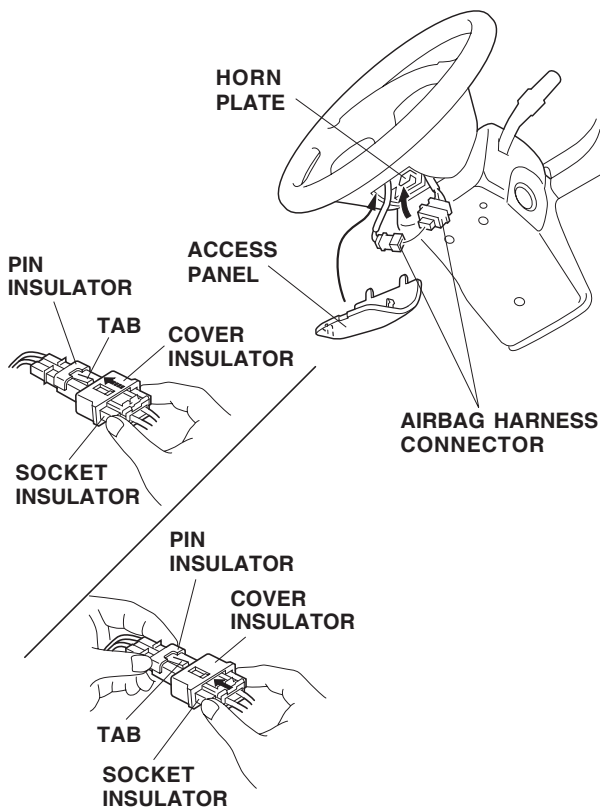
26. Get the airbag, and route the airbag harness down through the steering wheel. Position the airbag on the wood steering wheel, and install the two Torx bolts supplied. Torque the Torx bolts to 10 N·m (7 lb-ft).



27. Reinstall the right and left steering wheel covers.

28. Connect the airbag harness connectors:

- Push the socket insulator onto the pin insulator until it contacts the tab on the pin insulator.
- Do not push the socket insulator onto the pin insulator by pushing on the cover insulator.
- Continue pushing on the socket insulator in the same direction until the cover insulator rides over the tab on the pin insulator, and is locked securely.
- Reattach the airbag harness connector to the horn plate.
- Reinstall the access panel.



29. Reconnect the negative cable to the battery.

30. Make sure the steering wheel is in the straight-ahead position with the front wheels. If the spoke angle of the steering wheel is not in the straight ahead position with the front wheels, adjust the front toe as described in the Service Manual.

31. Verify that the horn works.

32. Turn the ignition key on, and verify that the SRS warning light comes on and stays on for 6 seconds; turn the key off to make sure the SRS warning light goes off.

33. Enter the customer's radio/navigation unit anti-theft code, and reset the radio station presets.

34. Reset the clock.

NOTE: Whenever the battery is disconnected, the driver's window AUTO function is disabled.

35. Start the engine. Push down on the driver's window switch until the window is fully open.

36. Pull up on the driver's window switch to close the window completely, then hold the switch for 2 seconds or more.

37. Lower and raise the driver's window to check the operation of the driver's window AUTO function.

38. Do the PCM idle learn procedure.

– Make sure all electrical items are turned off.

– Start the engine. Hold the engine speed at 3,000 rpm with no load (in Park or Neutral) until the radiator fan comes on.

– Let the engine idle for about 10 minutes with the throttle fully closed, and with all electrical items off.

NOTE: If the radiator fan comes on during this step, the time it operates must not be included in the 10 minutes.