



INSTALLATION INSTRUCTIONS

Accessory

**GOLD EMBLEM
P/N 08F20-S3V-200A**

Application

2006 MDX

Publications No.

B11 30969

Issue Date

SEP 2005

PARTS LIST

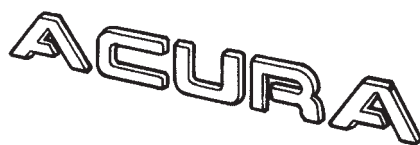
Front "A" emblem



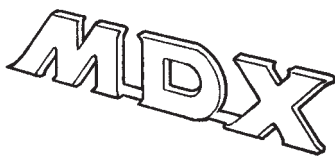
Rear "A" emblem
(with clips on the back)



Rear "ACURA" emblem



Rear "MDX" emblem



TOOLS AND SUPPLIES REQUIRED

- Phillips screwdriver
- Flat-tip screwdriver
- Ratchet
- 10 mm Socket
- Isopropyl alcohol
- Shop towel
- Masking tape
- Blanket
- String
- Diagonal cutters

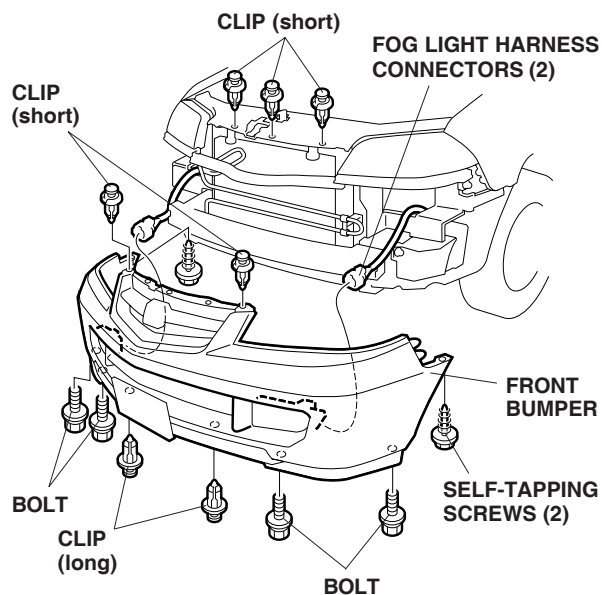
INSTALLATION

NOTE:

- Be careful not to damage the body paint finish when you remove and install the emblems.
- This emblem kit should be installed only when the ambient air temperature is 60°F (15°C) or above.
- To prevent damage to the front bumper rest the front bumper on a blanket during the installation.
- To allow the adhesive to cure, do not wash the vehicle for 24 hours.

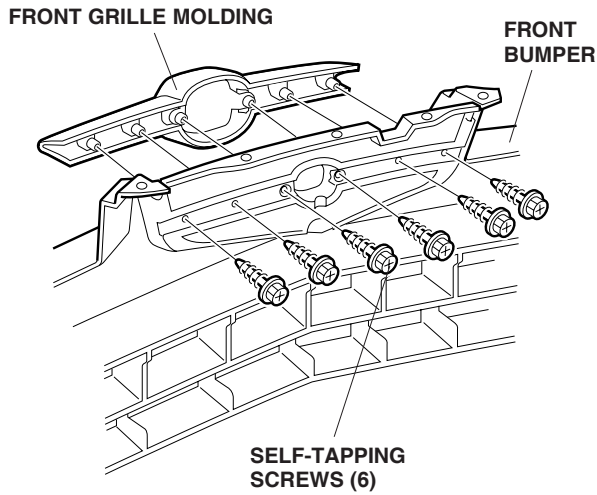
Installing the Front Emblem

1. Remove the two self-tapping screws, seven clips and four bolts that secure the front bumper. If the vehicle is equipped with optional fender flares, remove the top inner fender screws that secure the bumper.

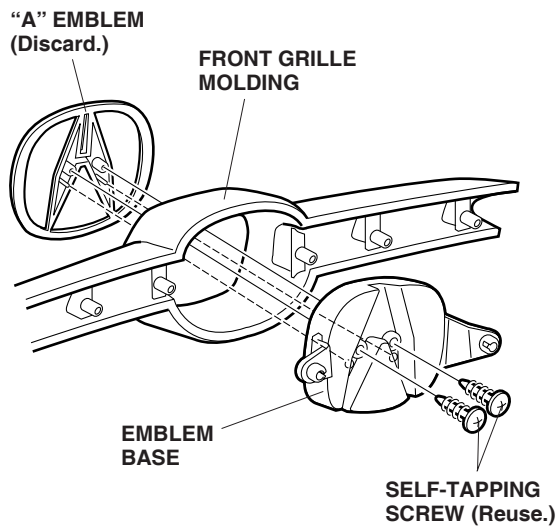


2. Pull the front bumper out toward you, then disconnect the fog light harness connectors. Remove the front bumper and rest it on a blanket.

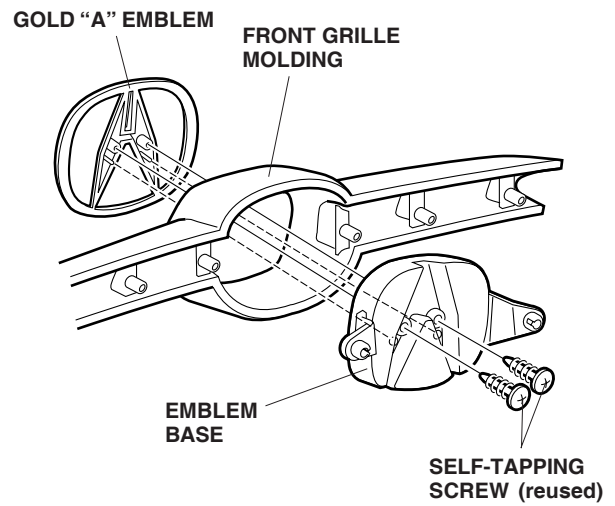
- Remove the six self-tapping screws that fasten the front grille molding to the front bumper, and remove the front grille molding.



- Remove the two self-tapping screws that fasten the "A" emblem and the emblem base to the front grille molding, and remove the "A" emblem.



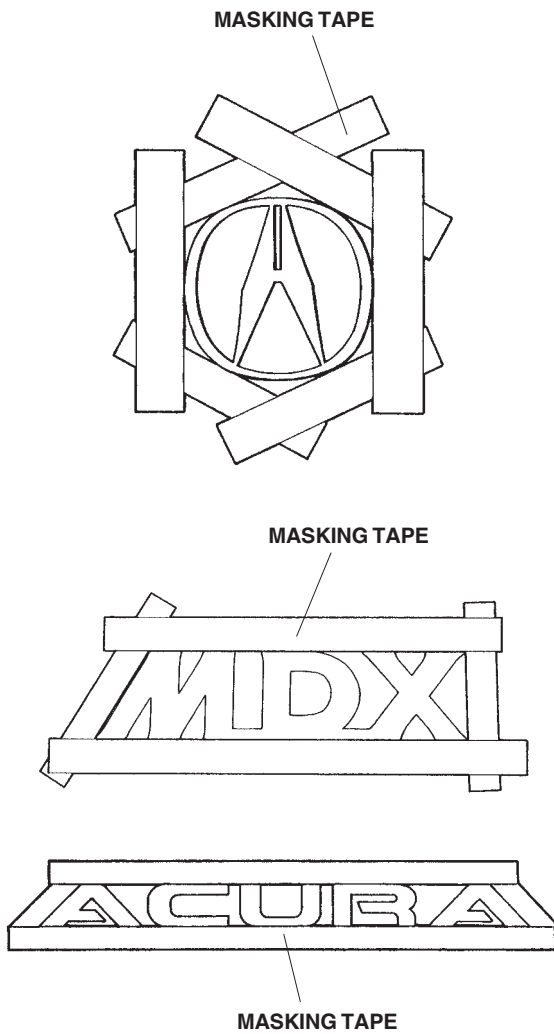
- Position the gold "A" emblem on the front grille molding and emblem base; align the pins on the emblem with the holes in the emblem base. Install the two self-tapping screws onto the pins.



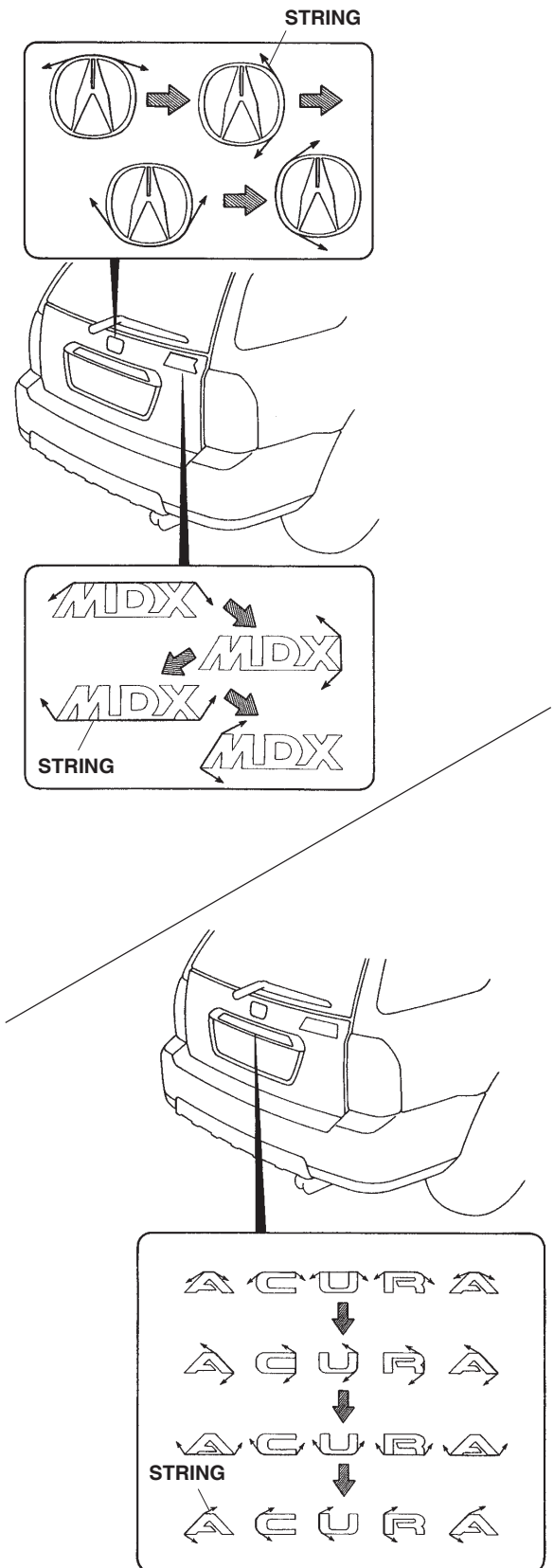
- Reinstall all the removed parts. Check that all clips are installed securely.

Installing the Rear Emblems

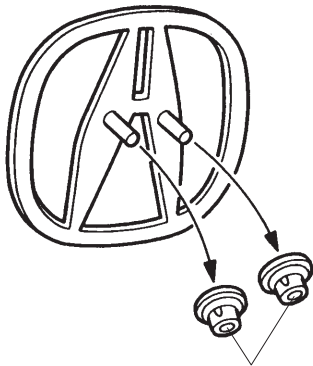
- To prevent damage to the body finish, attach masking tape around the original rear "A," "MDX," and "ACURA" emblems.



- Remove the original rear emblems by cutting around the outer edges with a piece of string.



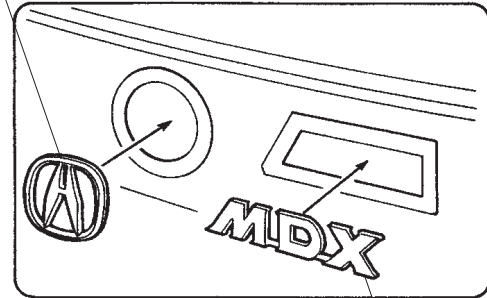
NOTE: If any original clip(s) stayed in the tailgate after you removed the rear "A" emblem, make sure you remove and discard the same clip(s) on the new emblem.



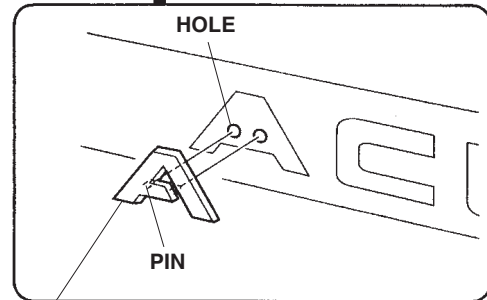
CLIPS
(Remove and discard any original clips that stayed in the tailgate.)

- Using isopropyl alcohol on a shop towel, clean the areas where the emblems were removed.
- Remove the adhesive backings from the new gold "A," "MDX," and "ACURA" emblems.

NEW GOLD "A" EMBLEM



NEW GOLD "MDX" EMBLEM



NEW GOLD "ACURA" EMBLEM

- Attach the new gold "A" and "MDX" emblems to the tailgate. Align the pins on the new gold "ACURA" emblem with the holes in the rear license plate trim; attach the "ACURA" emblem.
- Hold the new gold emblems firmly against the tailgate, and rear license plate trim with the palm of your hand for 30 seconds.
- Remove the masking tape from tailgate.

NOTE: After the emblem kit is installed, tell your customer not to wash the vehicle for 24 hours to give the adhesive time to cure.