

ACURA INSTALLATION INSTRUCTIONS

Accessory
**FULL NOSE MASK
P/N 08P35-S3V-200A**

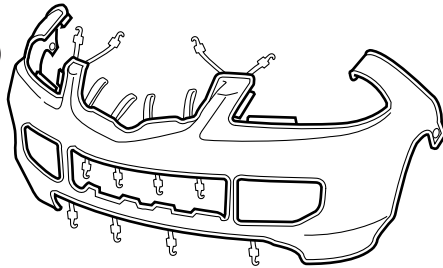
Application
2006 MDX

Publications No.
BII 30968
Issue Date
SEP 2005

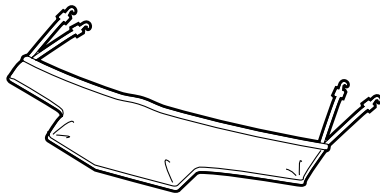
Put this information in the glove box with the vehicle owner's manual.

PARTS LIST

Mask
(bumper section)



Mask
(hood section)



2 Snap-screws



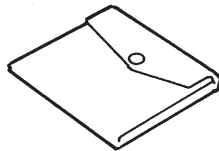
2 Washers



2 Fenderwell nuts



Storage bag



TOOLS REQUIRED

Stubby #2 Phillips screwdriver

Clip remover

Scissors

INSTALLATION

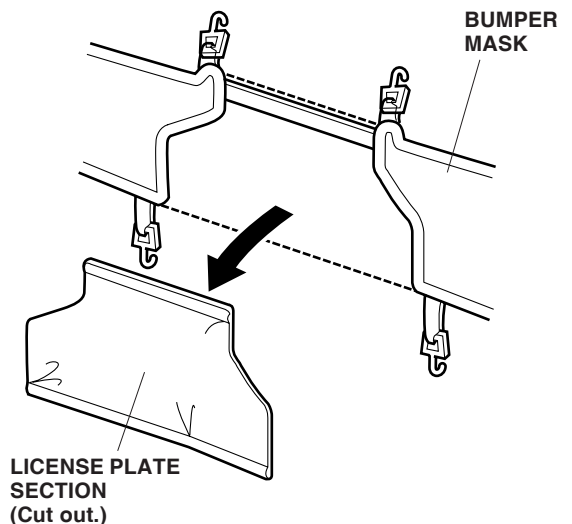
NOTE:

- Make sure the vehicle and the nose mask are clean and completely dry before installation. If moisture under the mask is allowed to dry, it may cloud the paint. If the mask gets wet, remove it and allow it to air-dry completely.
- Make sure any repainted surfaces are cured.
- Make sure the hood and nose of the vehicle have been waxed with a high-quality paste wax.
- Make sure to install the nose mask securely. If the nose mask starts to flap or comes loose while driving, safely pull off the highway, stop the vehicle, and secure or remove the mask.
- The nose mask cannot be installed if the vehicle is equipped with fender flares or an air deflector.

Displaying the License Plate

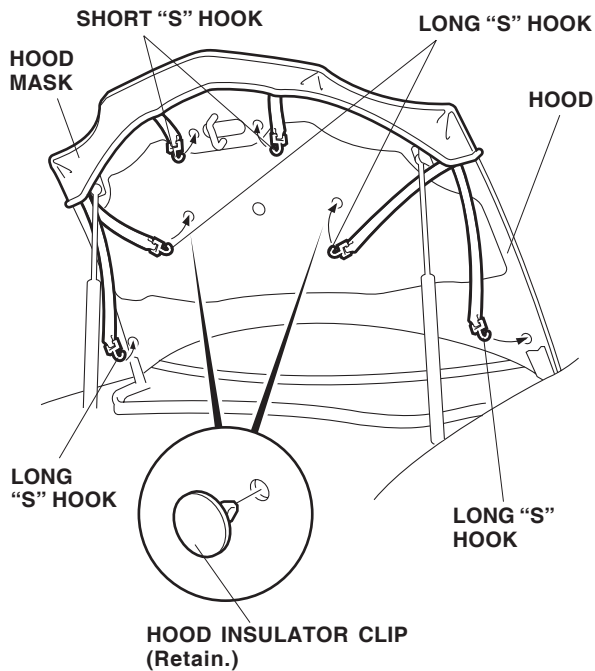
If your state law requires the display of both license plates, cut out the piece of the bumper section that covers the front license plate:

- Face the inside of the mask toward you.
- Carefully cut out the license plate section with scissors at the top seam, and remove the overcast stitching.



Installing the Hood Section

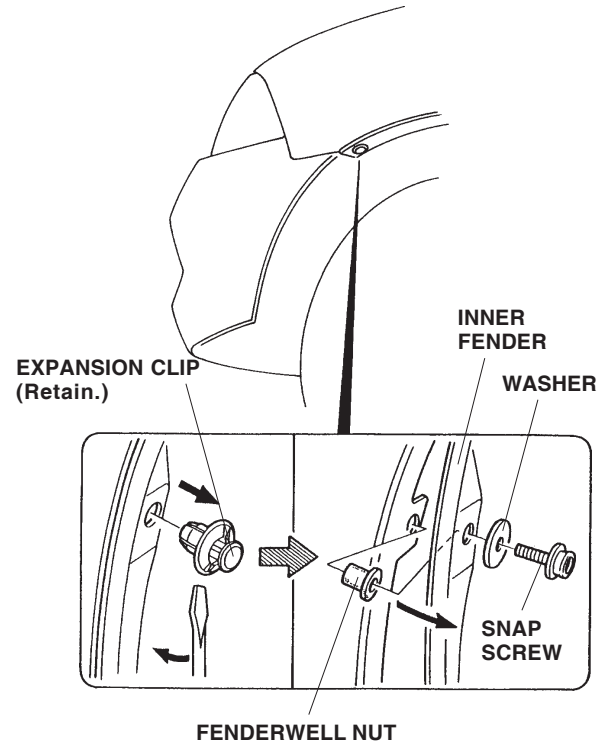
1. Open the hood, and remove the two hood insulator clips. (Do not discard the insulator clips; they can be reinstalled if the mask is removed.)



2. Fit the corners of the mask around the hood, and adjust it so it fits smoothly over the edges. Attach the four long "S" hooks and two short "S" hooks into the holes in the hood.

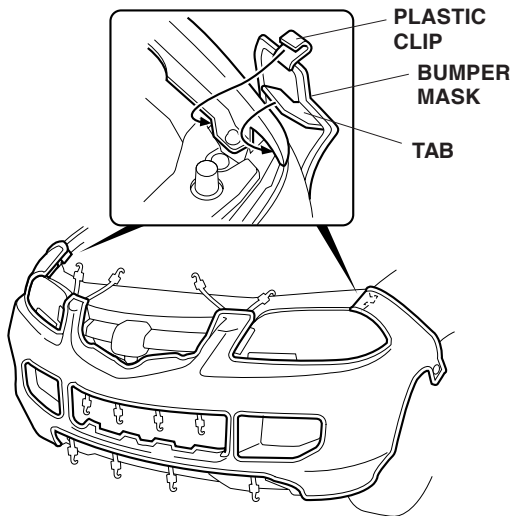
Installing the Bumper Section

3. Turn the steering wheel all the way clockwise.
4. Pry out the plastic pin, and remove the expansion clip that fastens the inner fender; remove and retain the clip, then clean the area around the hole.



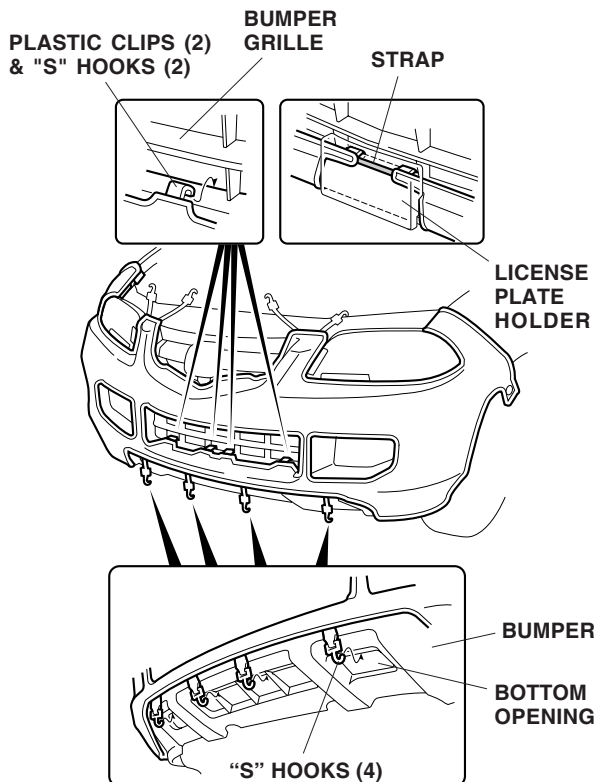
5. Pull the inner fender away, and press one fenderwell nut (supplied) into the hole in the fender flange.
6. With its washer in place, secure the inner fender by tightening one snap-screw into the fenderwell nut.
7. Turn the steering wheel all the way counterclockwise, and repeat steps 4 through 6 on the other side of the vehicle.

- Attach the tab of the mask's fender section onto the front corner of the fender, then attach the plastic clip to the top inside edge of the fender. Fit the mask across the bumper, and attach the mask to the other side the same way.

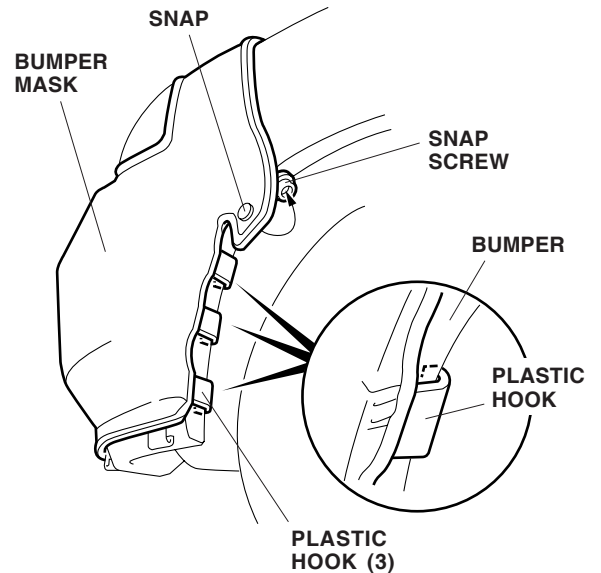


- Attach the two plastic clips and two "S" hooks of the bumper mask to the bottom inside edge of the front bumper grille opening. Attach the four "S" hooks to the bottom opening of the bumper.

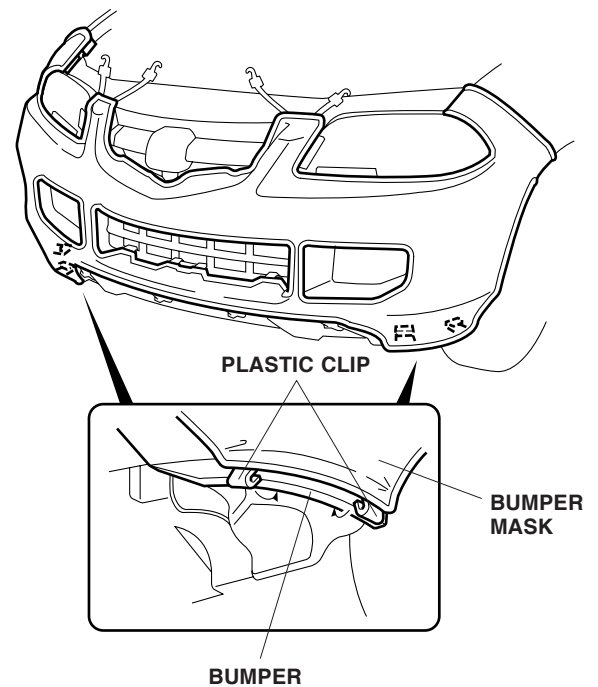
When displaying the license plate, install the strap behind the license plate holder.



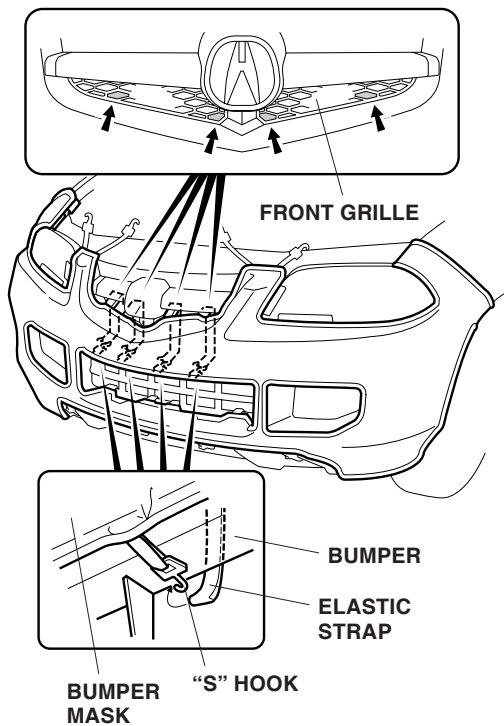
- Pull the mask back toward the wheelwell, smooth out any wrinkles, and then snap the mask onto the snap-screw. Repeat on the other side.



- On both sides of the vehicle, attach the three plastic hooks to the fenderwell.
- Attach the four plastic clips to the bottom corners of the bumper.

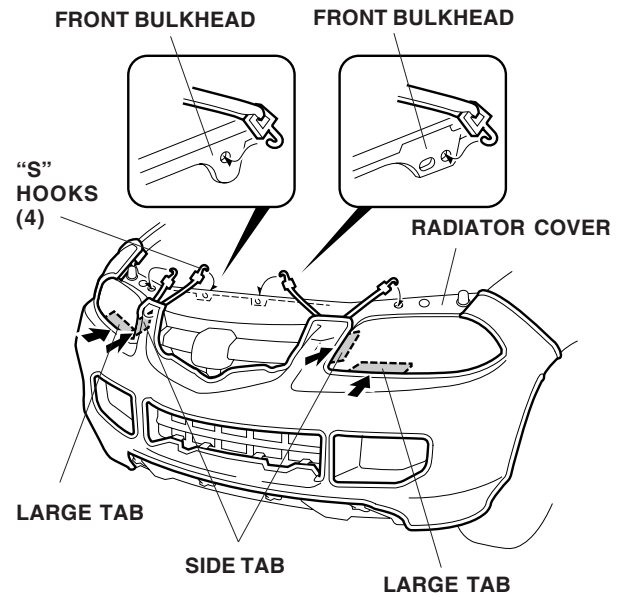


13. Insert the four elastic straps through the holes in the front grille. Route the elastic straps down behind the bumper and out of the lower bumper opening.



14. Attach the "S" hooks to the loops on the nose mask.

15. On each side of the vehicle, insert the large tab and side tab between the headlight and the bumper.



16. Attach the two outboard "S" hooks to the holes in the top of the radiator cover, and attach the two inboard "S" hooks to the holes on the back of front bulkhead.
17. Put these instructions, along with the insulator clips, plastic pins and expansion clips (removed in steps 1 and 4) into the storage bag, and place it in the glove box for future use.

CLEANING THE NOSE MASK

Use a sponge or cloth and a solution of mild liquid dishwashing soap and water to clean the vinyl and the flannel backing. Rinse the mask completely with clean water, and hang it to dry, out of direct sunlight. Make sure the mask is completely dry before you reinstall it.