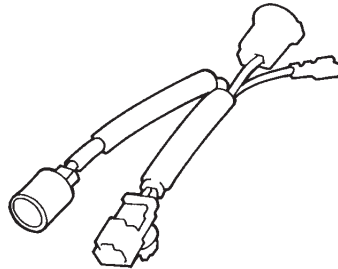


<h1>INSTALLATION INSTRUCTIONS</h1>	Accessory CIGARETTE LIGHTER AND ASHTRAY TOURING PACKAGE TOURING PACKAGE NAVI	Application 2006 MDX WITHOUT REAR ENTERTAINMENT SYSTEM	Publications No. BII 30961
			Issue Date SEP 2005

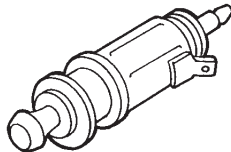
PARTS LIST

**Cigarette Lighter (sold separately):
P/N 08U25-S9V-100B**

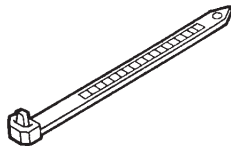
Harness



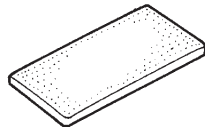
Cigarette lighter



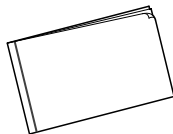
Wire tie



3 Cushion tapes

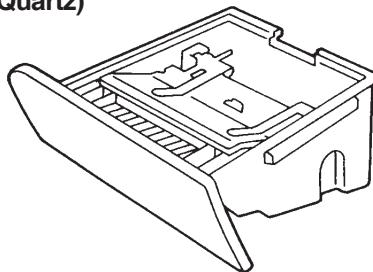


User's Guide



**Ashtray (sold separately):
P/N 08U25-S3V-210 (Black)
P/N 08U25-S3V-270 (Saddle)
P/N 08U25-S3V-221 (Quartz)**

Ashtray

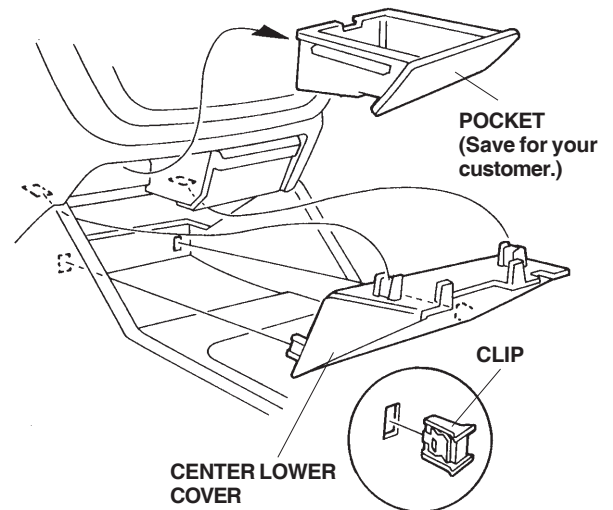


TOOLS AND SUPPLIES REQUIRED

- #2 Phillips screwdriver
- Stubby Phillips screwdriver
- Electrical tape

INSTALLATION

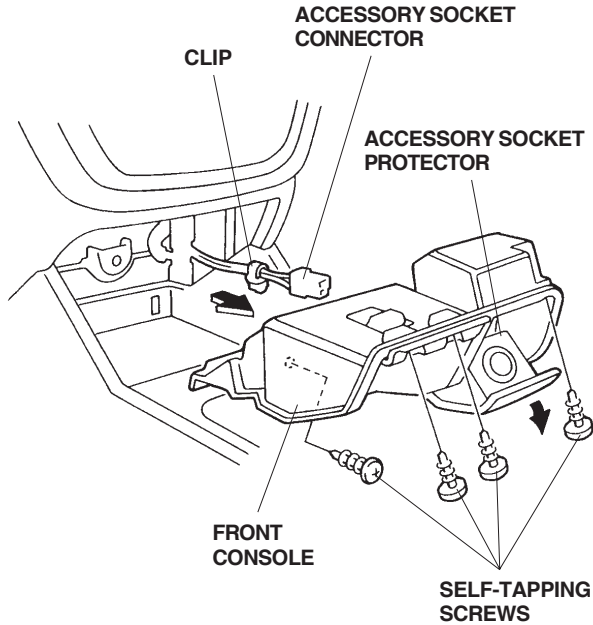
1. Move the shift lever to the N position, then remove the pocket. Save the pocket for your customer.



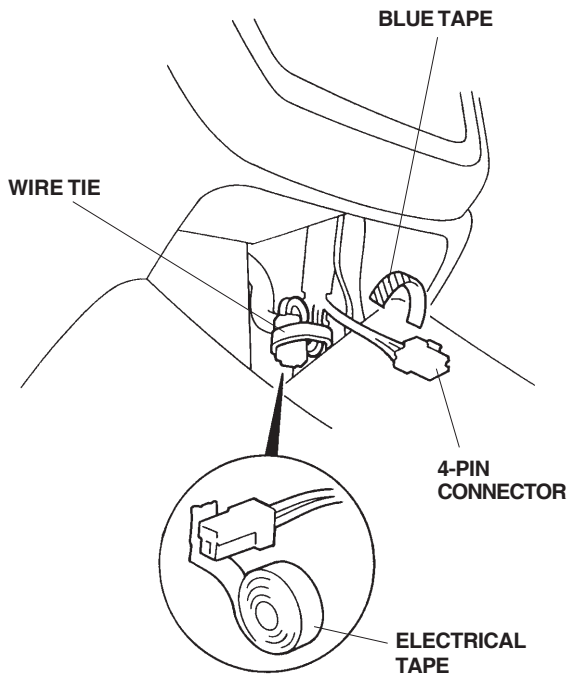
If you're installing only an ashtray, go to step 21; otherwise continue with step 2.

2. Remove the center lower cover by releasing the four clips and two tabs. Take care not to damage the clips.
3. Make sure you have the anti-theft code for the radio and, if equipped, the navigation system, then write down the radio station presets.
4. Disconnect the negative cable from the battery.

- Open the accessory socket protector, and remove the four screws securing the front console.

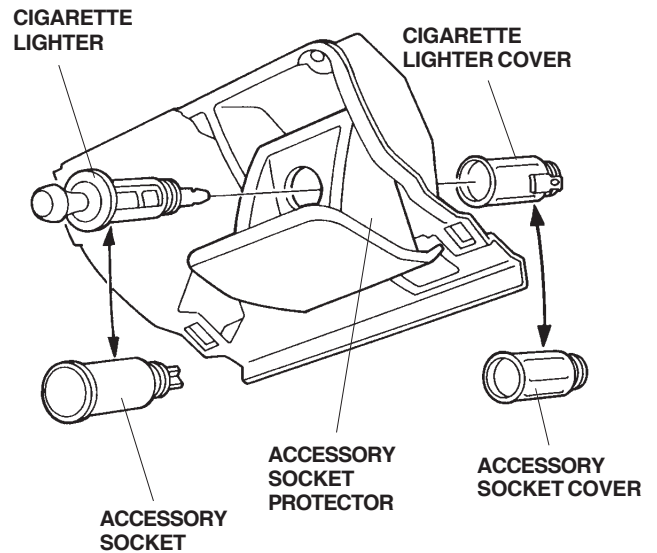


- Remove the clip of the accessory socket harness from the front console, unplug the accessory socket connector, and remove the front console.
- Locate the 4-pin connector blue taped to the vehicle harness, and remove the tape to free the connector.

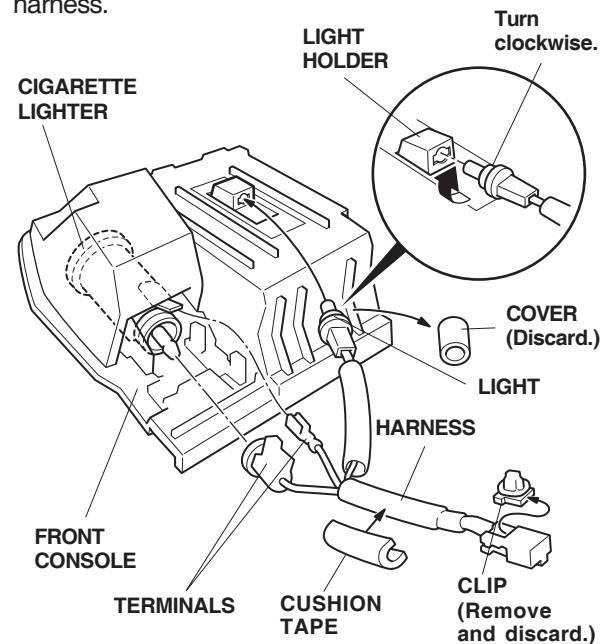


- Wrap electrical tape around the accessory socket connector, and secure it to the vehicle harness with the wire tie.

- Remove the accessory socket cover from the accessory socket by turning it counterclockwise, then remove the accessory socket from the accessory socket protector.

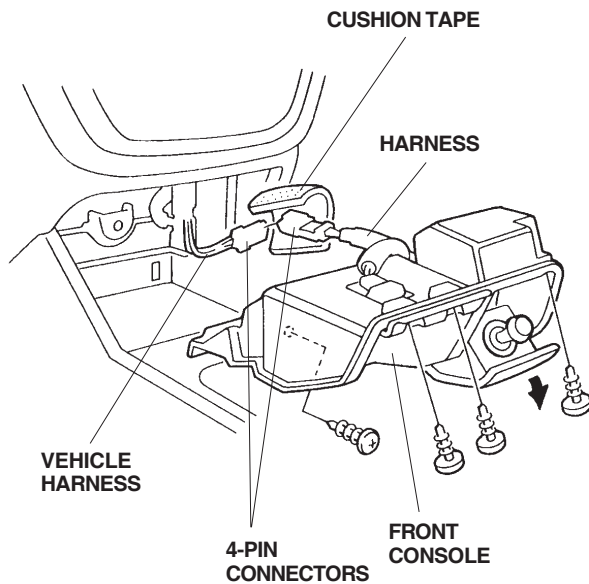


- Separate the lighter cover from the cigarette lighter, then install them through the hole in the accessory socket protector.
- Remove the cover from the illumination light of the harness.



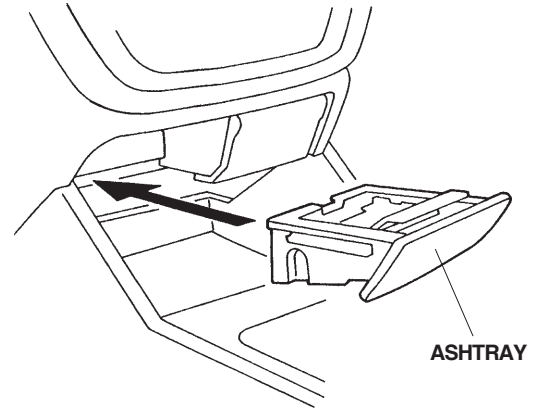
- Connect the terminals of the harness to the terminals on the cigarette lighter; push the illumination light of the harness into the light holder on the front console.
- Wrap the cushion tape around the harness.

14. Connect the 4-pin connector of the harness to the 4-pin connector of the vehicle harness, and wrap the cushion tape around the connectors.
15. Reinstall the front console.



16. Reinstall all removed parts.
17. Reconnect the negative cable to the battery.
18. Check that the cigarette lighter heats properly when pressed in.
19. Enter the customer's radio and, if equipped, the navigation system anti-theft codes, and reset the radio station preset buttons.

20. Reset the clock.
21. Install the ashtray.



22. Open and close the ashtray several times to be sure that it works properly.
23. Give the pocket, and the User's Guide to your customer.