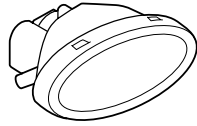


**PARTS LIST**

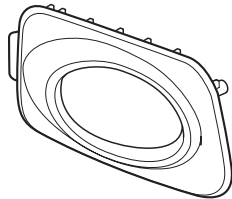
Left fog light



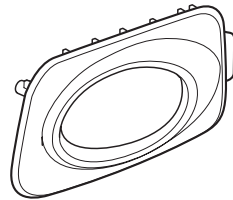
Right fog light



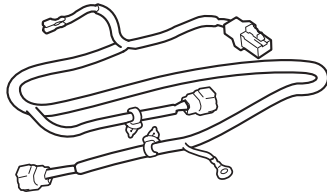
Right fog light trim



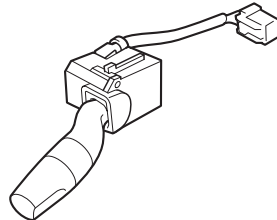
Left fog light trim



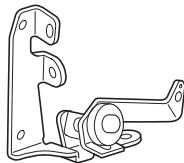
Fog light harness



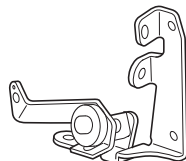
Switch



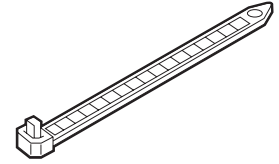
Right bracket



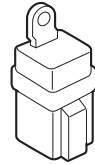
Left bracket



16 Wire ties



Relay



2 Step-screws  
 (with thin rubber washer)



4 Self-tapping screws, 4 x 16 mm



2 Washer-screws, 5 x 16 mm



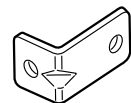
2 Washer-screws, 4 x 8 mm



2 Step-screws  
 (with thick rubber washer)



Relay bracket



2 Spring nuts, 5 mm



2 Self-tapping screws, 5 x 18 mm



2 Washer-bolts, 6 x 12 mm



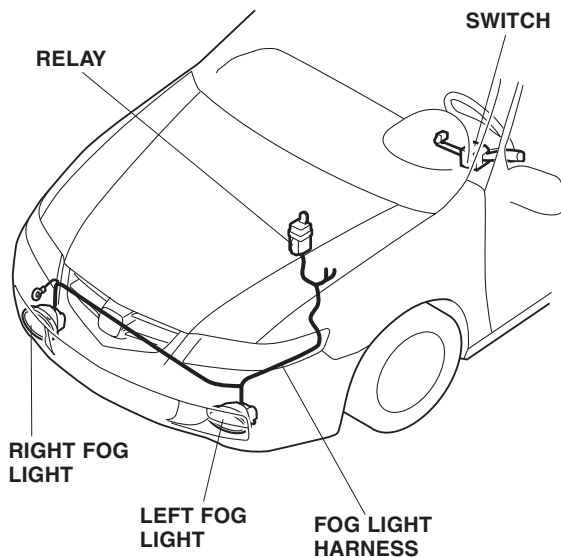
Flange nut, 6 mm



## TOOLS AND SUPPLIES REQUIRED

Clip Remover  
Phillips screwdriver  
10 mm Combination wrench  
Ratchet  
10 mm Socket

## Illustration of Fog Lights Installed on the Vehicle



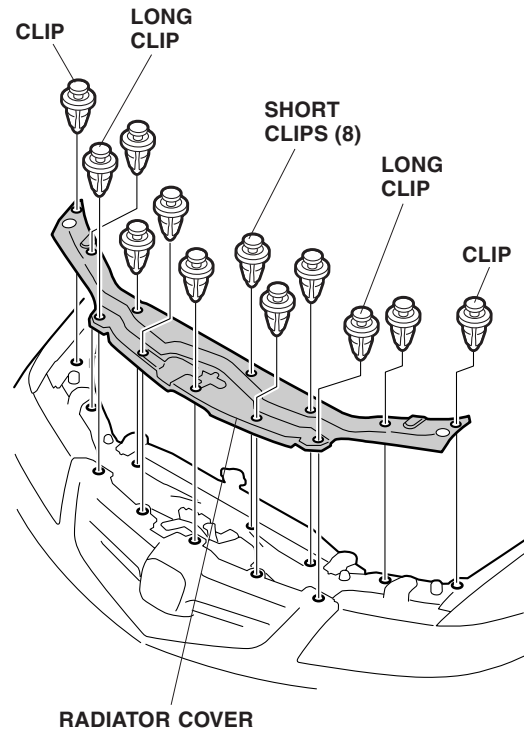
## INSTALLATION

**Customer Information:** The information in this installation instruction is intended for use only by skilled technicians who have the proper tools, equipment, and training to correctly and safely add equipment to your car. These procedures should not be attempted by “do-it-yourselfers.”

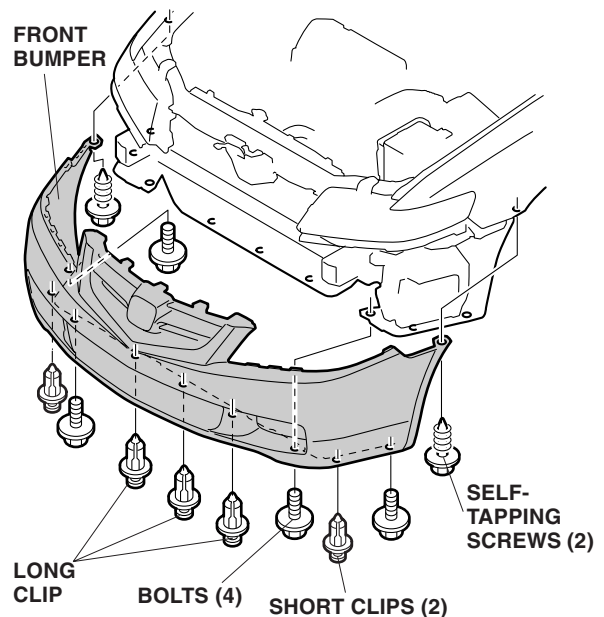
1. Make sure you have the anti-theft code for the radio, and navigation system (if equipped), then write down the frequencies for the preset buttons.
2. Disconnect the negative cable from the battery.

## Installing the Fog lights

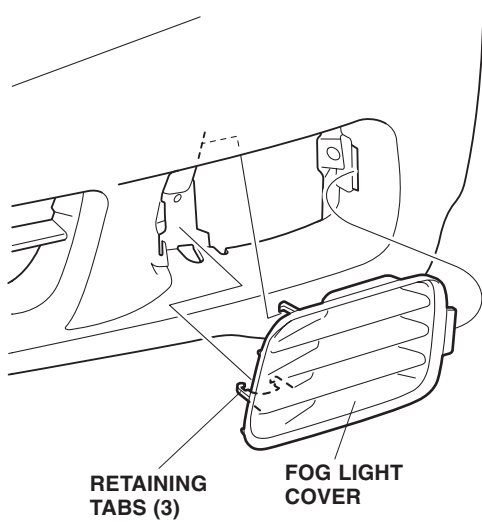
3. Open the hood, and remove the radiator cover (twelve clips).



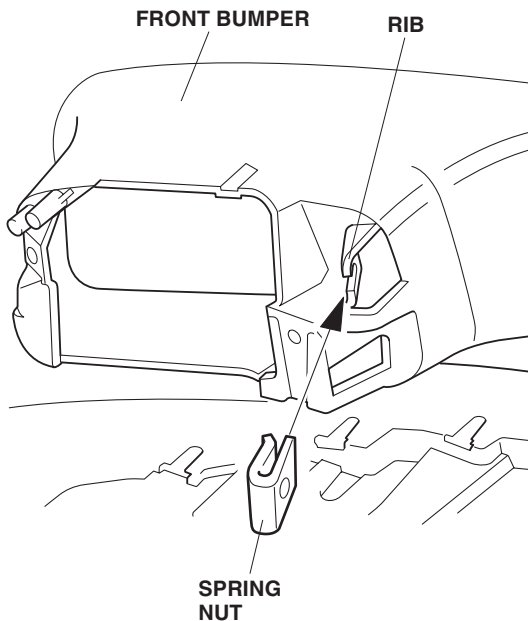
4. Remove two clips from the front grille.
5. Remove the front bumper (five clips, two self-tapping screws, and four bolts).



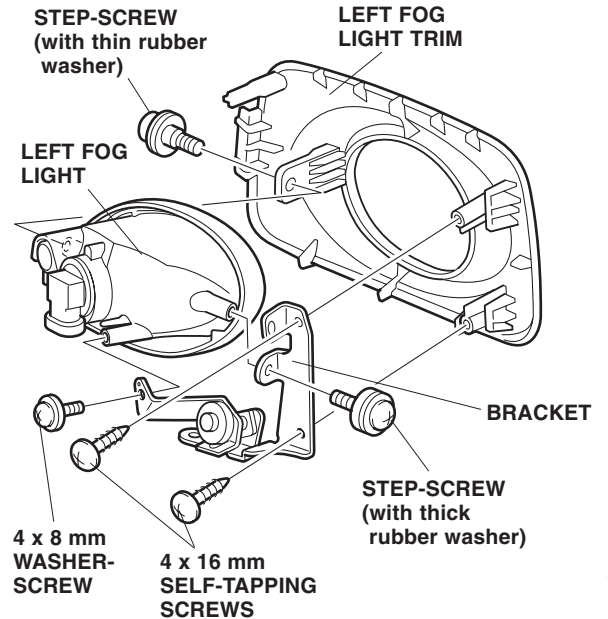
6. Release the three retaining tabs, and remove the left fog light cover.



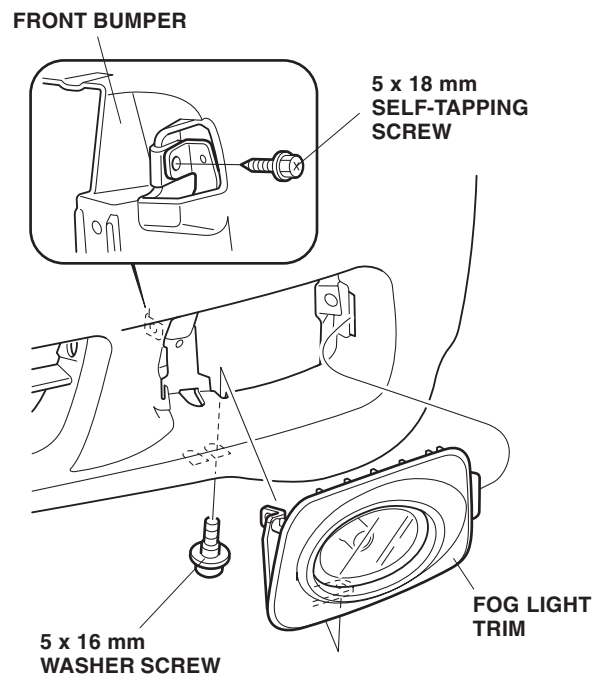
7. Insert the spring nut onto the rib at the rear of the front bumper.



8. Install the left bracket to the left fog light with one step-screw (with thick rubber washer) and one step-screw (with thin rubber washer).



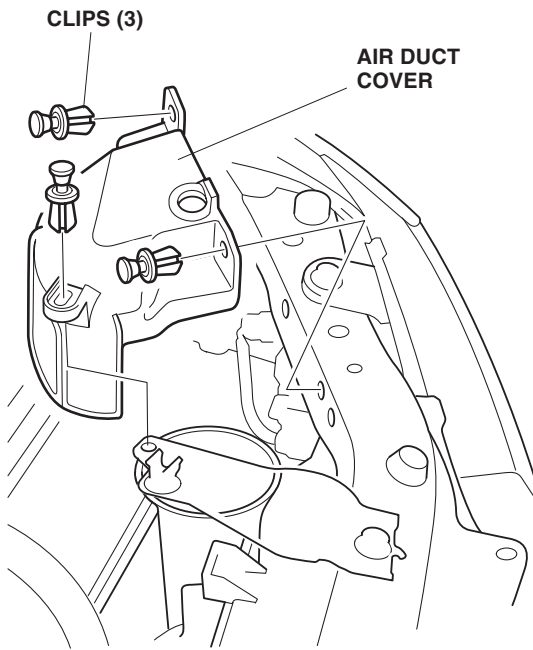
9. Install the left fog light to the fog light trim with one step-screw (with thin rubber washer) and two 4 x 16 mm self-tapping screws.
10. Position the fog light assembly into the opening of the front bumper with the retaining tab behind the front bumper. Install one 5 x 18 mm washer-screw and one 5 x 16 mm self-tapping screw.



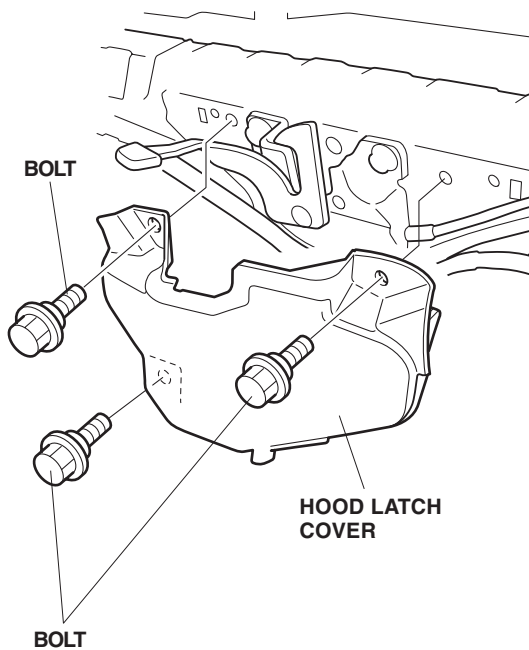
11. Repeat steps 6 thru 10 to install the right fog light.

## Routing the Fog Light Harness

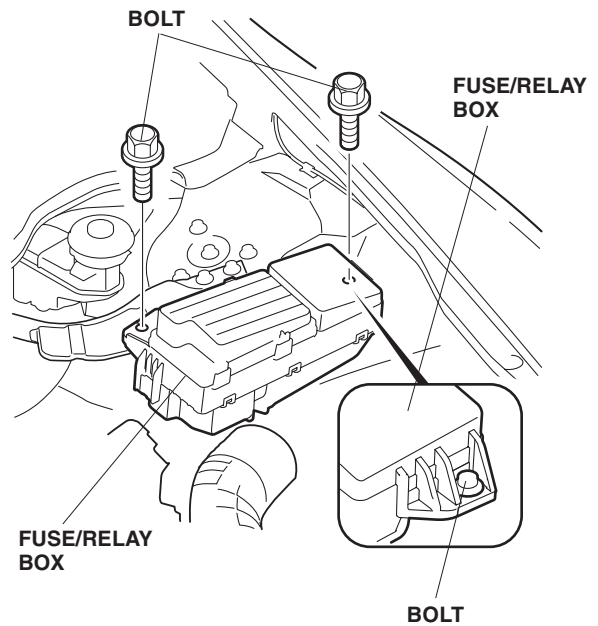
12. Remove the air duct cover (three clips).



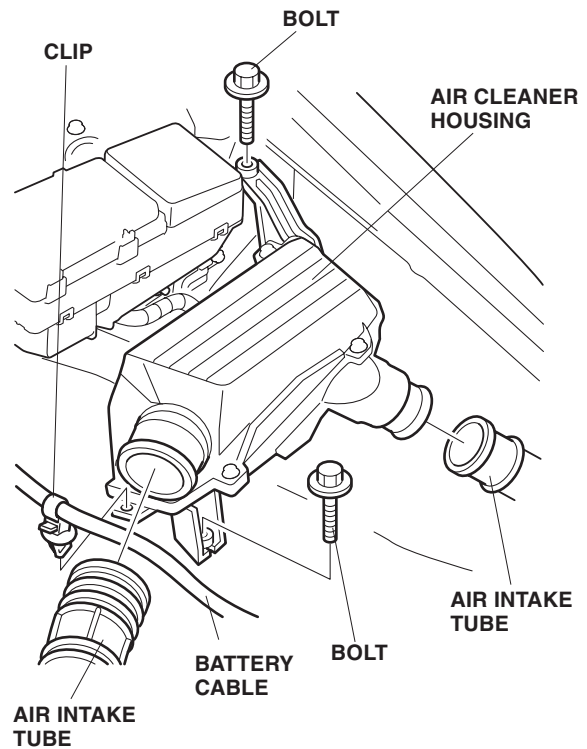
13. Remove the hood latch cover (three bolts).



14. Remove the two bolts that fasten the fuse/relay box, and remove the fuse/relay box.

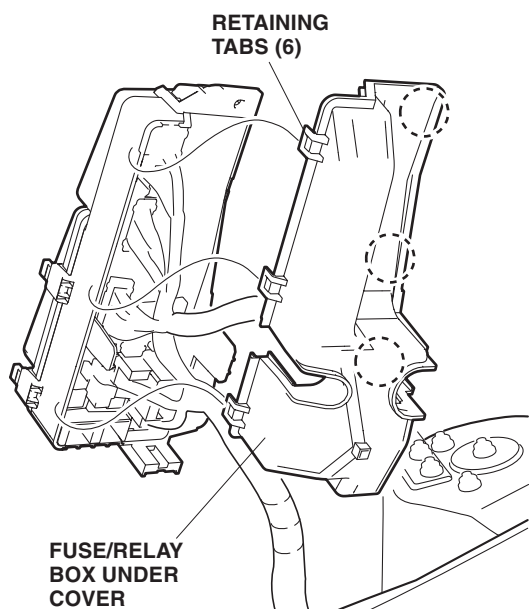


15. Remove the two bolts that fasten the air cleaner housing, and release the clip on the battery cable.

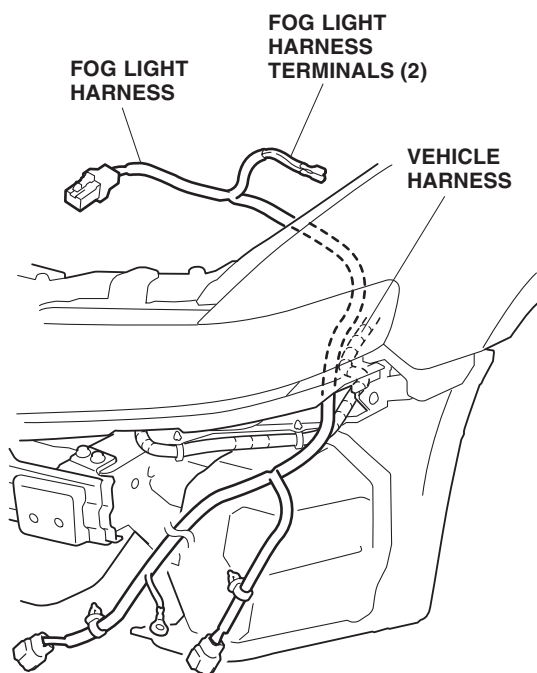


16. Disconnect the two air intake tubes, and remove the air cleaner box.

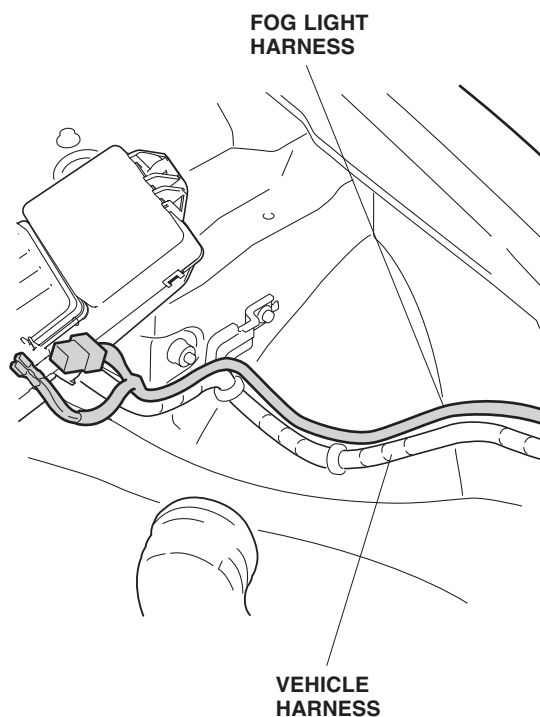
17. Release the six retaining tabs, and remove the fuse/relay box under cover.



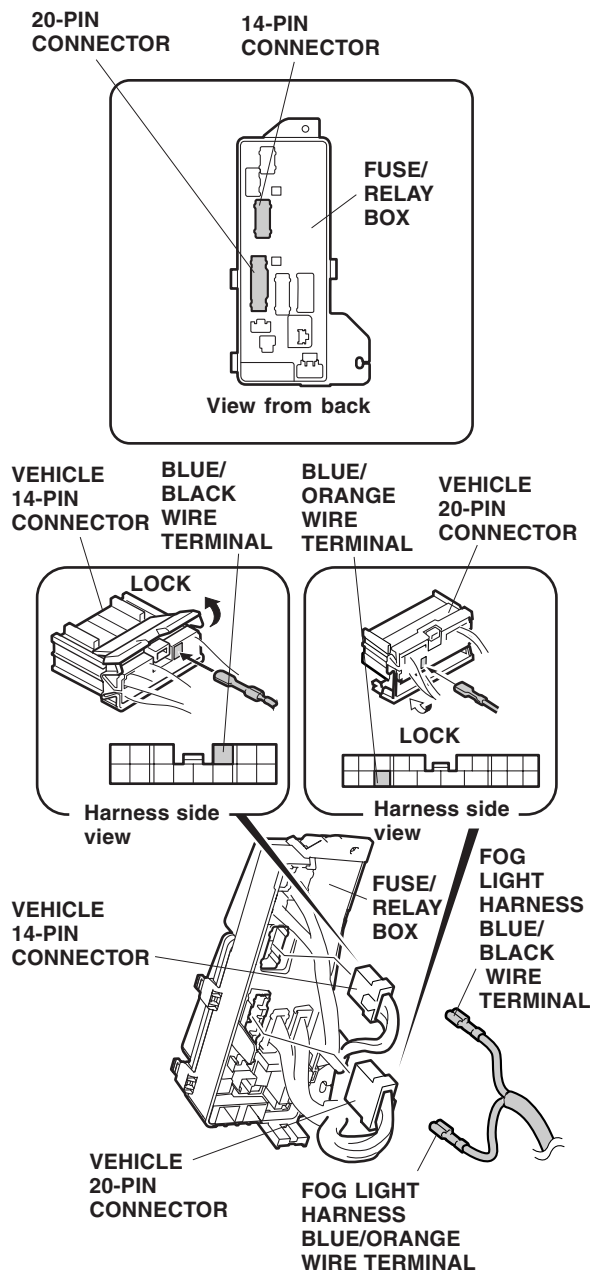
18. Route the two fog light harness terminals through the engine room and along the vehicle harness as shown.



19. Continue to route the fog light harness along the vehicle harness.

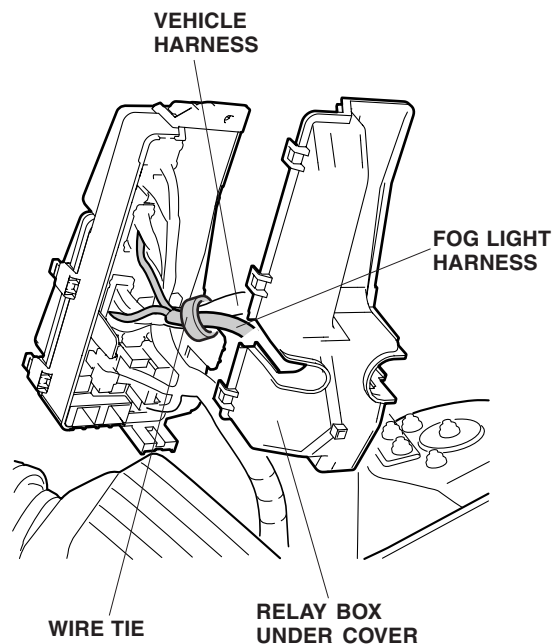


- On the back of the fuse/relay box, unplug the vehicle 14-pin and 20-pin connectors from the fuse/relay box. Release the lock on the vehicle 14-pin connector, and push the fog light harness blue/black wire terminal into the vehicle 14-pin connector. Reattach the lock on the 14-pin connector.

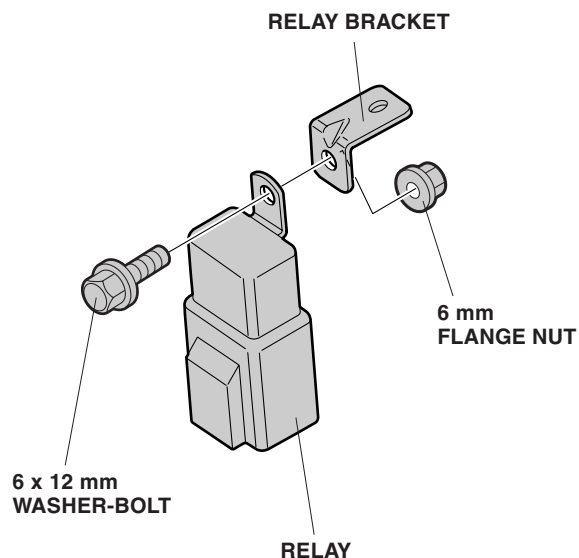


- Release the lock of the 20-pin connector, and push the fog light harness blue/orange wire terminal into the vehicle 20-pin connector. Reattach the lock on the 20-pin connector.
- Plug the vehicle 14-pin and 20-pin connectors into the fuse/relay box.

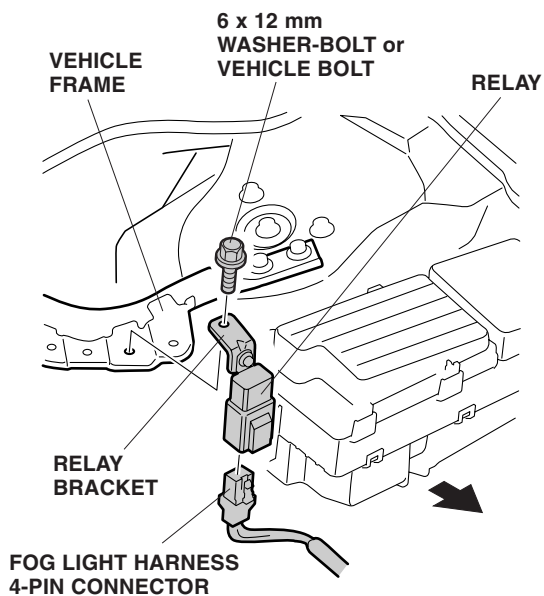
- Secure the fog light harness to the vehicle harness with one wire tie.



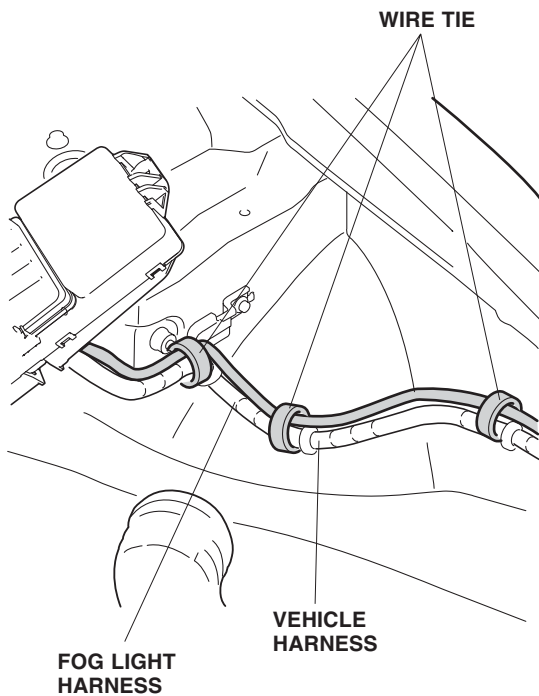
- Reinstall the fuse/relay box under cover.
- Install the relay bracket to the relay with one 6 x 12 mm washer bolt and one 6 mm flange nut.



- Install the relay bracket to the vehicle frame with a 6 x 12 mm washer-bolt. (If already equipped with a vehicle bracket, remove the mounting bolt that secures the vehicle bracket, and attach the relay bracket with this bolt.)

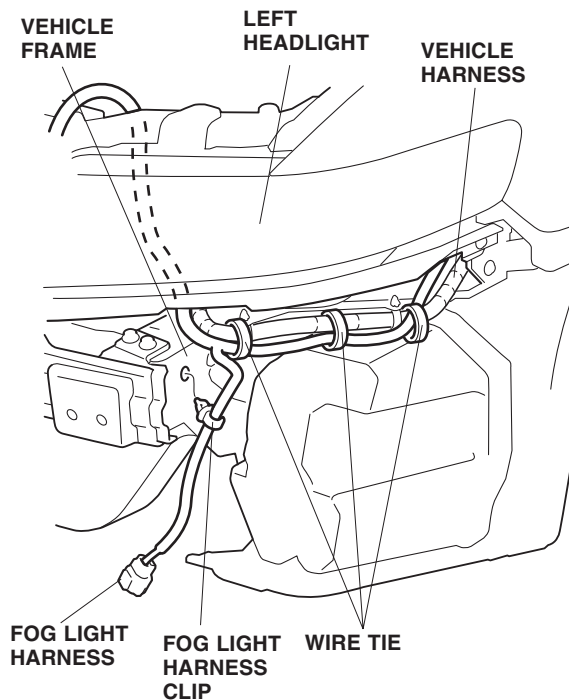


- Plug the fog light harness 4-pin connector into the relay.
- Secure the fog light harness to the vehicle harness with three wire ties as shown.

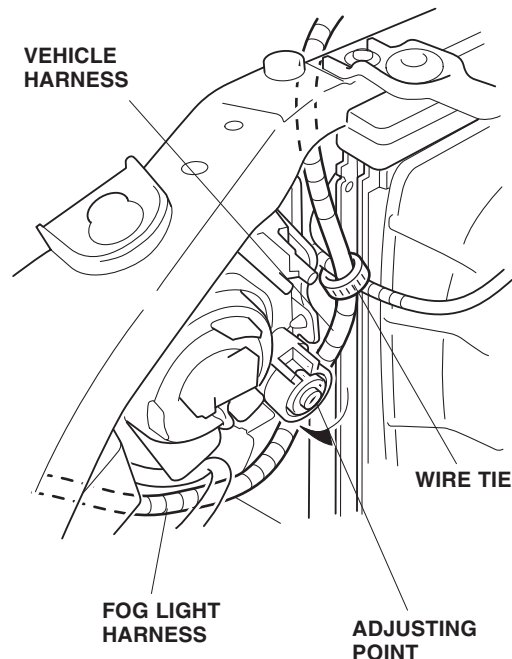


- Reinstall the air cleaner housing and under-hood fuse/relay box.

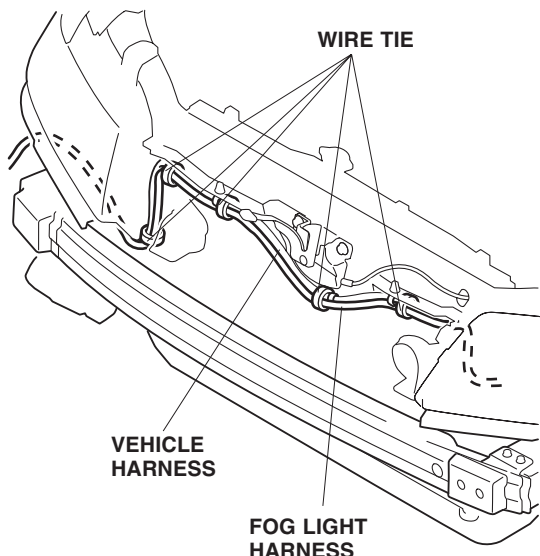
- Route the fog light harness (long wire) to the back of the left headlight, then secure it to the vehicle harness with three wire ties.



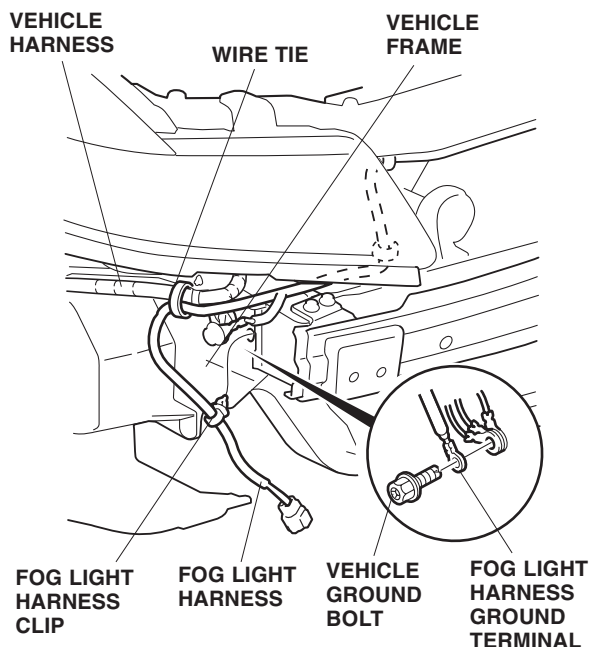
- Install the fog light harness clip to the vehicle frame.
- Route the fog light harness under the adjusting point, then to the vehicle harness with one wire tie in the area shown.



33. Route the fog light harness alongside the vehicle harness, and secure it to the vehicle harness with five wire ties.

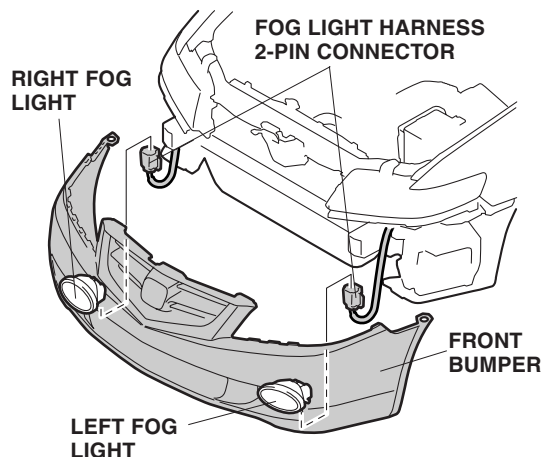


34. Remove the vehicle ground terminal, and attach the fog light harness ground terminal with the vehicle ground bolt.



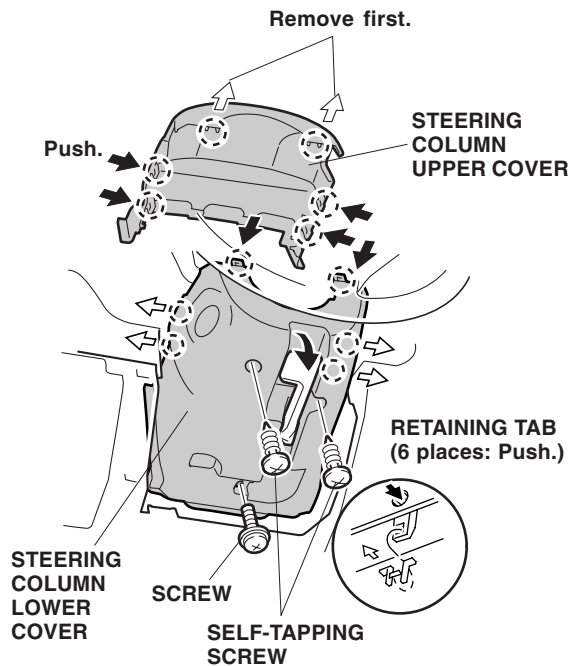
35. Secure the fog light harness to the vehicle harness with one wire tie, and push the fog light harness clip into the vehicle frame.

36. Connect the left and right fog light harness 2-pin connectors into the left and right fog lights, and reinstall the front bumper. Check that all clips, self-tapping screws, and fasteners are installed securely.



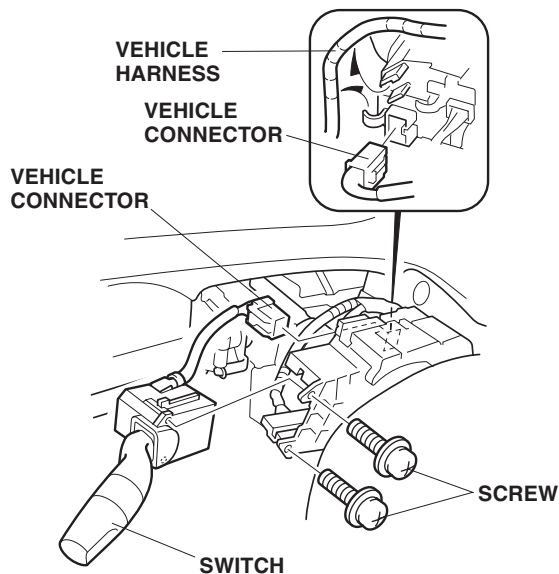
### Installing the Switch

37. Remove the two self-tapping screws and one screw from the steering column lower cover.

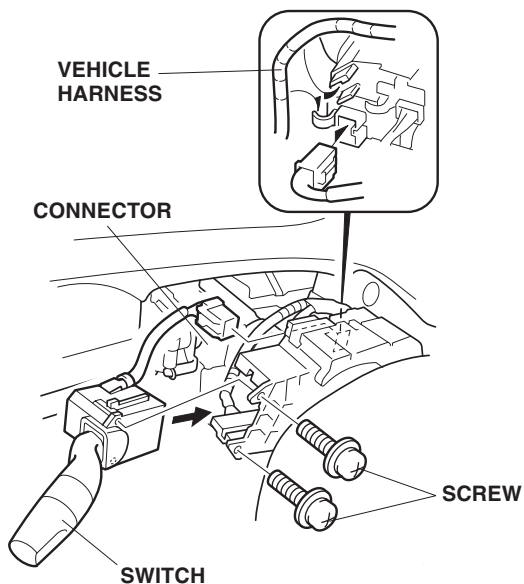


38. Lower the steering tilt lever, pull the steering wheel toward you. Remove the upper and lower steering column covers (release the two front retaining tabs, and then remove the four side retaining tabs).

39. Turn the steering wheel 90° counterclockwise, and remove the two screws fastening the switch. Move the vehicle harness up and out of the way. Unplug the vehicle connector from the switch, and remove the switch.



40. Install the new switch provided where the old switch was removed. Then plug the vehicle connector into the new switch. Replace the vehicle harness.



41. Reinstall the two screws removed in step 37.

42. Check that all wire harnesses are routed properly and all connectors are plugged in.
43. Reinstall all removed parts. Check that all clips and fasteners are installed securely.
44. Reconnect the negative cable to the battery.
45. Reset the clock, and reset the radio station presets.

## USE AND CARE

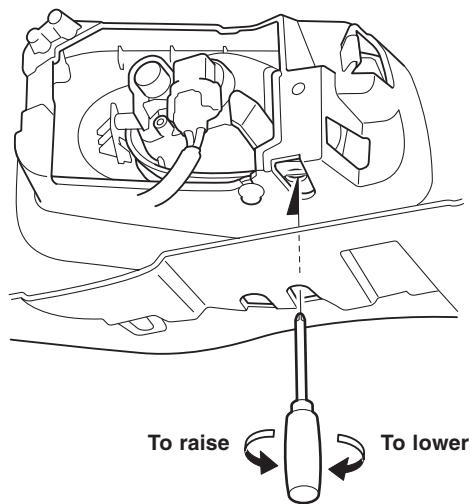
### How to Operate Fog Lights

- Turn the headlights “ON,” and make sure headlights are “ON” low beam.
- Turn the fog light switch “ON.”

The fog light lenses can cloud when the outside temperature is cold; this is normal and should go away in warm weather.

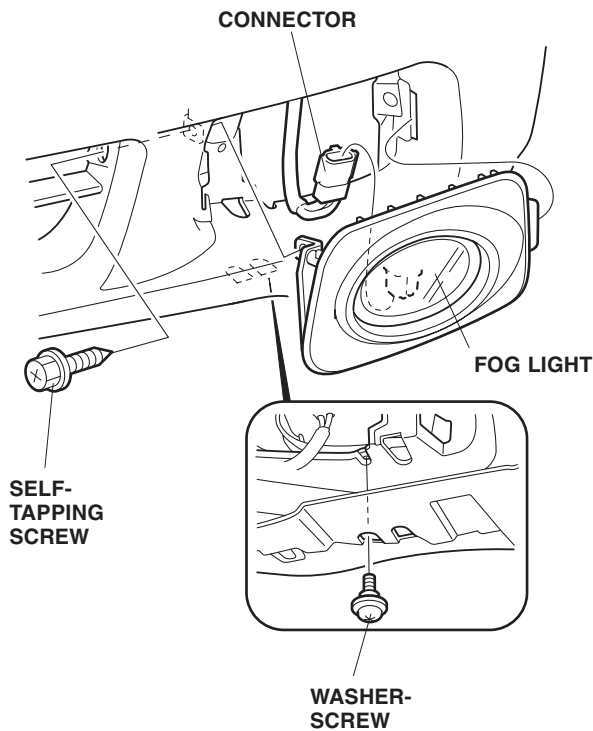
### Fog Light Aiming Adjustment

1. Adjust the fog light:
  - Adjust the aiming according to local laws and regulations.
  - To adjust, turn the aiming adjustment screw in or out until the correct aiming is obtained.

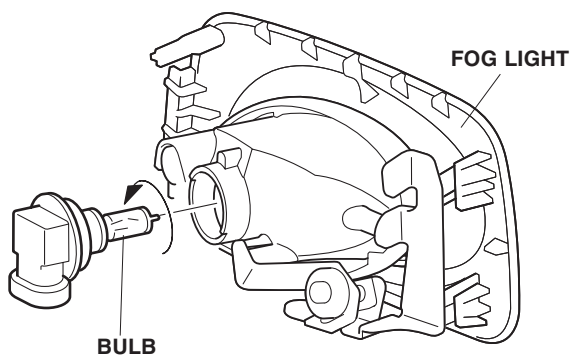


## BULB REPLACEMENT

1. Remove the one self-tapping screw and one washer-screw that fasten the fog light, and pull the light out toward you.



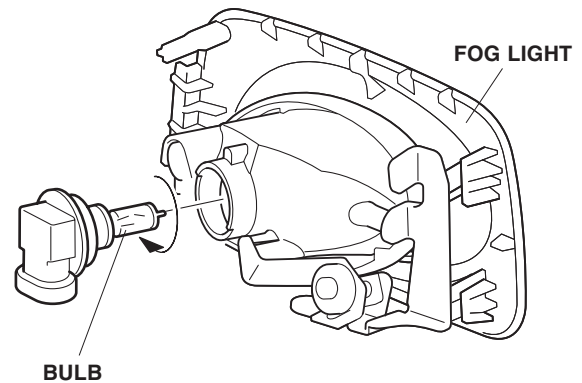
2. Unplug the connector from the fog light, then remove the fog light.
3. Remove the bulb.



4. Install the new bulb and socket into the fog light.
  - Use only a Honda halogen light bulb of specified wattage.

Rating: 12V 55W H11 Halogen Light Bulb

- Do not touch the bulb. Oily or greasy substances on the bulb can shorten its service life due to the heat produced when the bulb is turned on. If the bulb is accidentally touched, wipe it clean with a clean, soft cloth that has been dampened with a denatured alcohol or mild detergent solution.



5. Reinstall the fog light in the reverse order of removal.
  - Check that the wire harnesses are not pinched.
  - Be sure to tighten the self-tapping screws securely.

