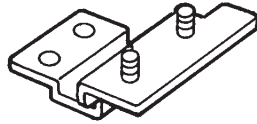


|   |                                |                                      |
|---|--------------------------------|--------------------------------------|
| Accessory<br><b>CD CHANGER<br/>ATTACHMENT KIT</b> | Application<br><b>2005 MDX</b> | Publications No.<br><b>BII 28209</b> |
|   |                                | Issue Date<br><b>OCT 2004</b>        |

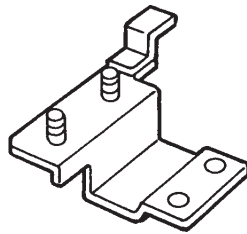
**PARTS LIST**

**CD Changer Attachment Kit:  
P/N 08B26-S3V-201**

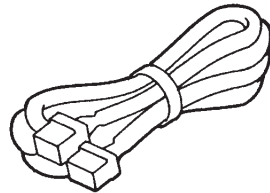
Right base bracket



Left base bracket



Bus cable



4 Flange bolts, 6 x 12 mm



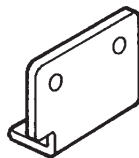
4 Flange nuts, 6 mm



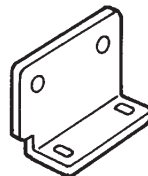
4 Washer-screws, 4 x 8 mm



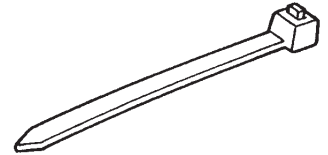
Right changer bracket



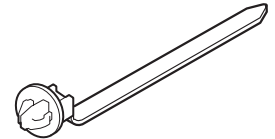
Left changer bracket



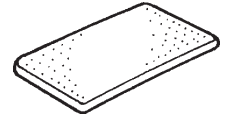
5 Wire ties



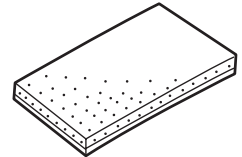
Wire tie with clip



2 Cushion tapes

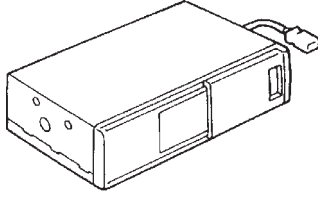


4 EPT sealers

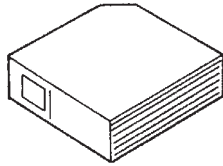


**CD Changer (sold separately):  
P/N 08A51-S3V-200**

CD changer



CD magazine



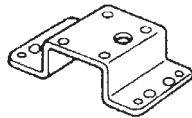
8 Washer-screws, 4 x 6 mm



Owner's Manual

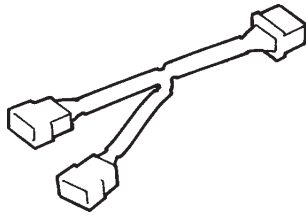


Side bracket



**Bus Harness Kit (Sold separately):  
P/N 08A31-0F1-000**

2-Port bus harness



**TOOLS AND SUPPLIES REQUIRED**

Flat-tip screwdriver

Phillips screwdriver

Ratchet

8 mm, 10 mm, and 12 mm Sockets

Isopropyl alcohol

Shop towel

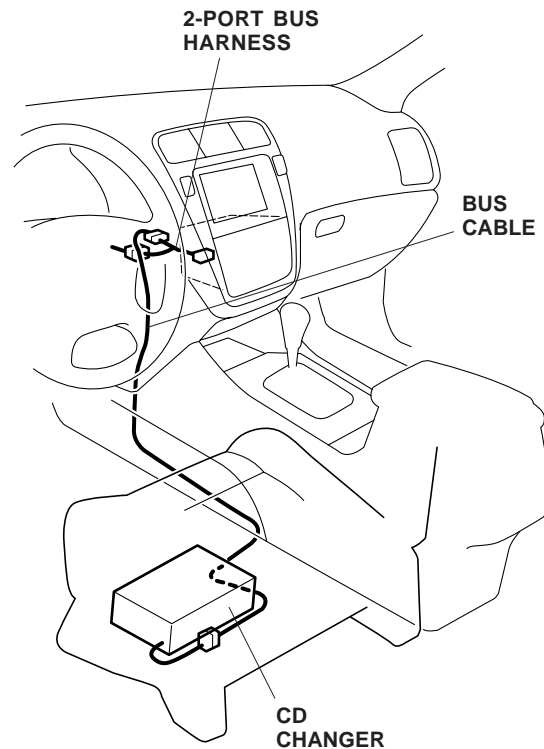
Tape measure

Scissors

Diagonal cutters

8 mm and 10 mm Combination wrenches

**Illustration of the CD Changer Installed in the  
Vehicle**

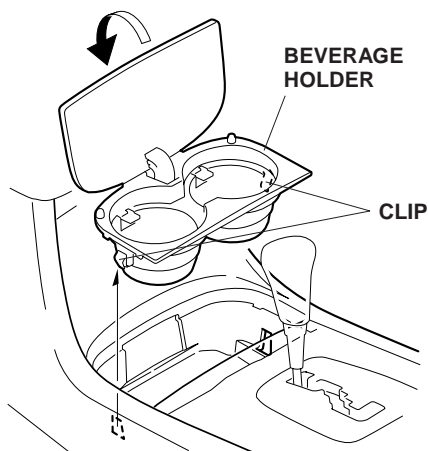


**INSTALLATION**

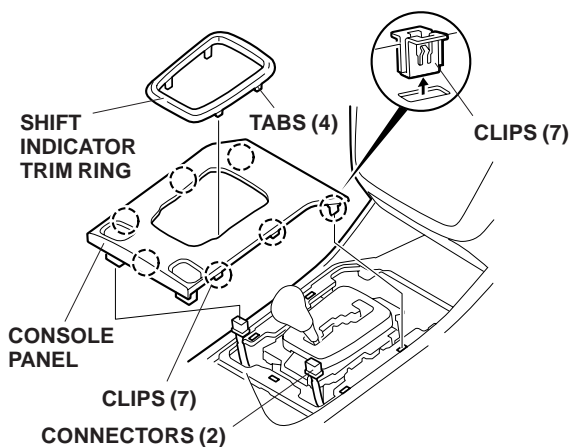
**Customer Information:** The information in this installation instruction is intended for use only by skilled technicians who have the proper tools, equipment, and training to correctly and safely add equipment to your vehicle. These procedures should not be attempted by "do-it-yourselfers".

1. Make sure you have the anti-theft code for the radio, then write down the radio station presets.
2. Disconnect the negative cable from the battery.

3. Remove the beverage holder (pull up to release the two clips).

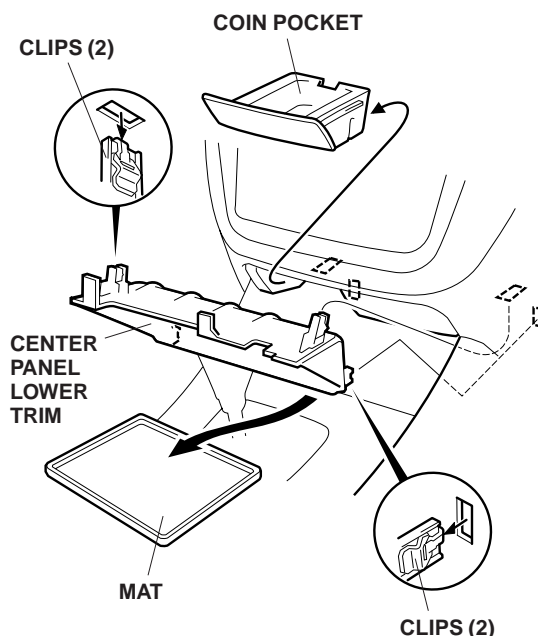


4. Remove the shift indicator trim ring (four tabs). Take care not to damage the tabs.

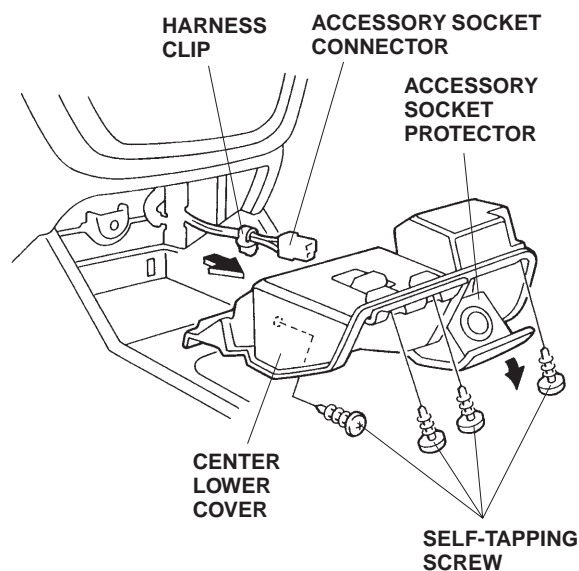


5. Remove the shift console panel (pull up to release seven clips, and unplug the connectors). Take care not to damage the clips.

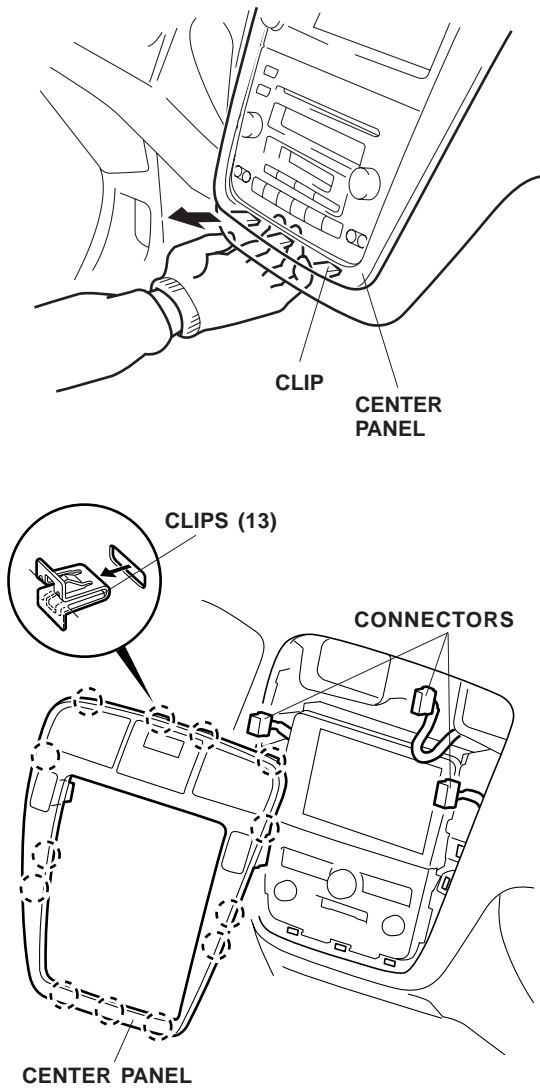
6. Move the shift lever to the N position, then remove the coin pocket.



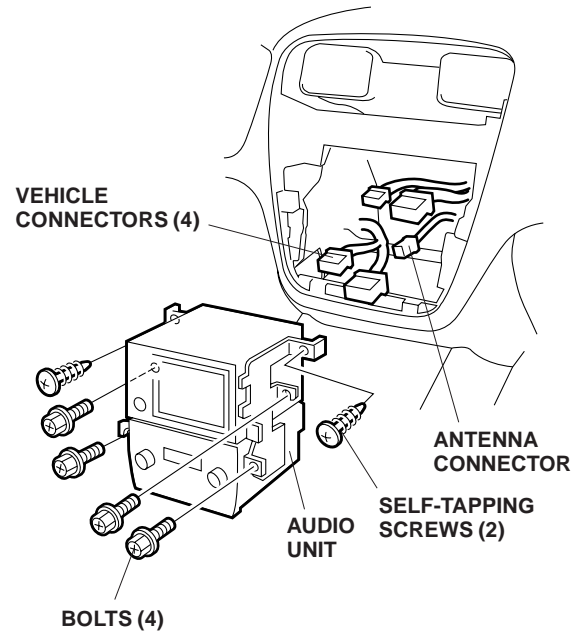
7. Remove the mat and center panel lower trim (four clips).
8. Open the accessory socket protector, and remove the center lower cover (four self-tapping screws, release the harness clip, and disconnect the accessory socket connector).



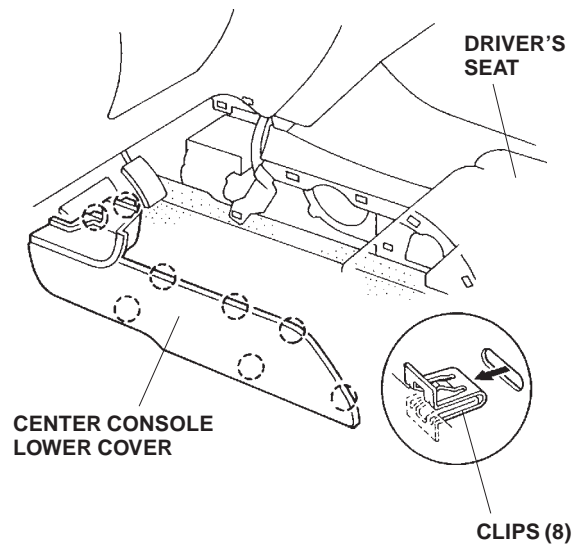
9. While wearing gloves, reach under the center panel, and release each of the three bottom clips. Carefully pull the center panel out toward you to release the ten clips. Unplug the connectors and remove the center panel.



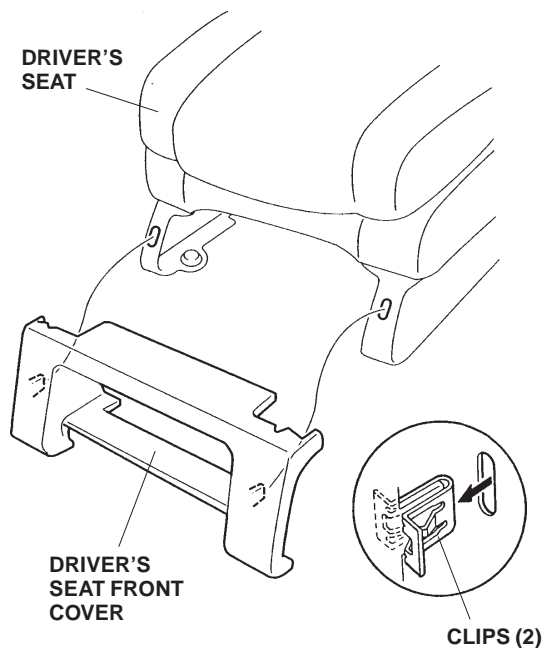
10. Remove the two self-tapping screws and four bolts that secure the audio unit. Pull the audio unit out toward you, unplug the four vehicle connectors and the antenna connector, and remove the audio unit.



11. On the driver's side of the vehicle, gently pull the center console lower cover out toward you to release the eight clips and remove the center console lower cover. Take care not to damage the clips.

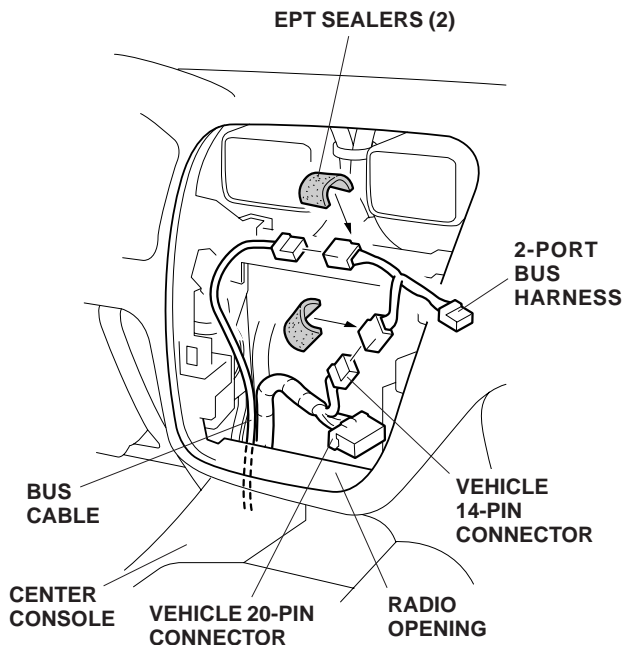


- Remove the driver's seat front cover by pulling it toward you. Take care not to damage the clips.



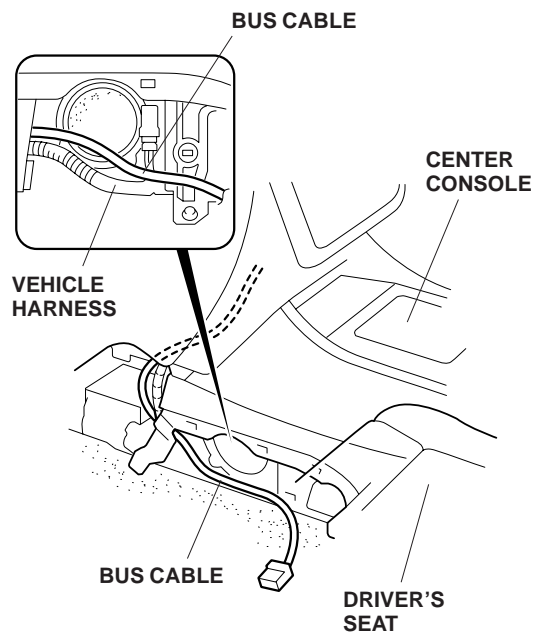
### Installing the Bus Cable

- Connect the bus cable 14-pin connector and vehicle 14-pin connector into the 2-port bus harness as shown, and wrap the two EPT sealers around the connected 14-pin connectors.

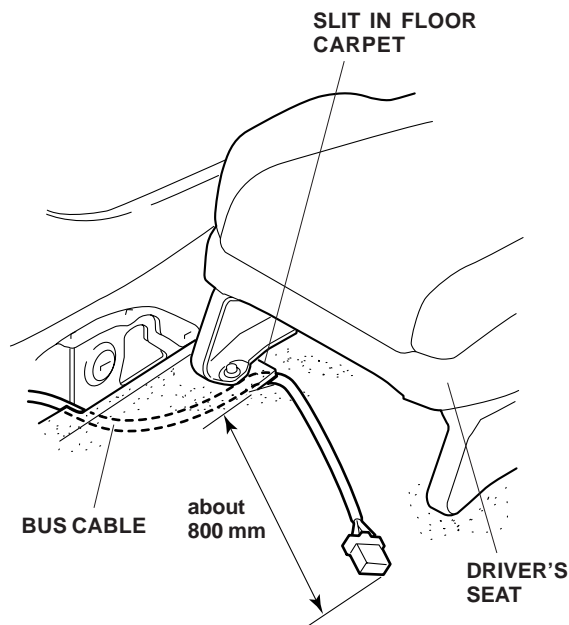


- Route one end of the bus cable from the radio opening down through the center console.

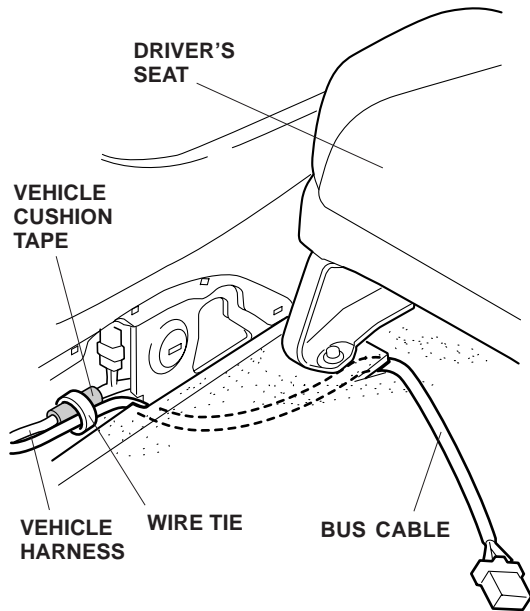
- Continue routing the bus cable along the center console and the driver's seat.



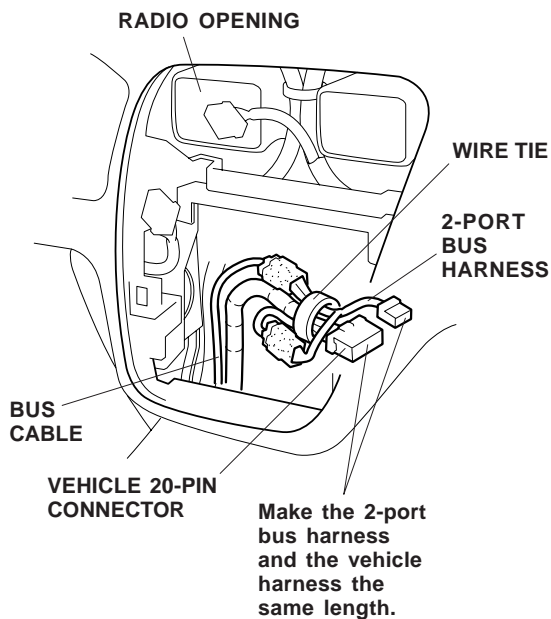
- Locate a slit in the floor carpet just under the driver's seat cushion, and pull the bus cable 14-pin connector out about 800 mm through the slit.



17. Secure the bus cable to the vehicle harness with one wire tie where the cushion tape.

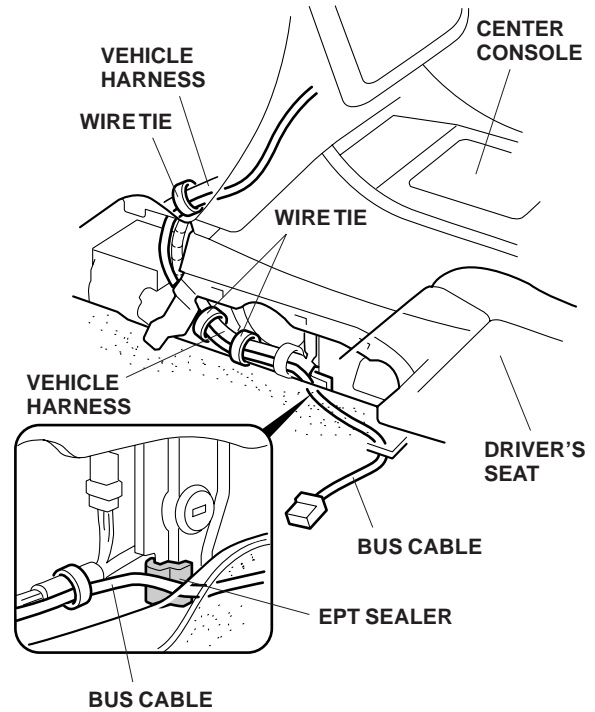


18. At the radio opening, adjust the bus cable so it is the same length as the vehicle harness.

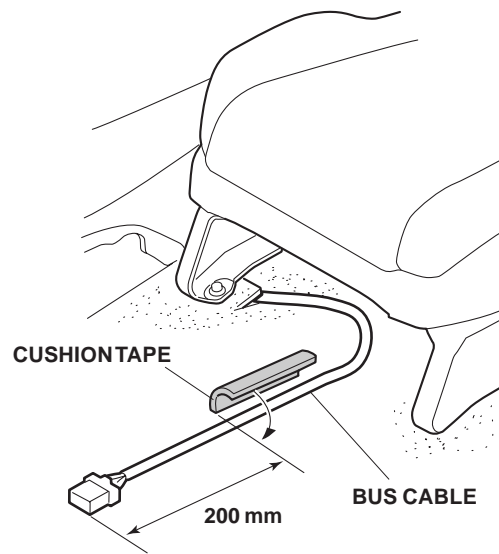


19. Secure the 2-port bus harness to the vehicle harness with one wire tie in the area shown.

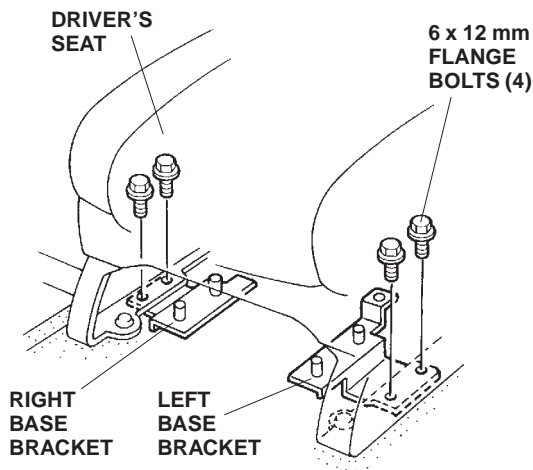
20. Secure the bus cable to the vehicle harness with the three wire ties in the areas shown.



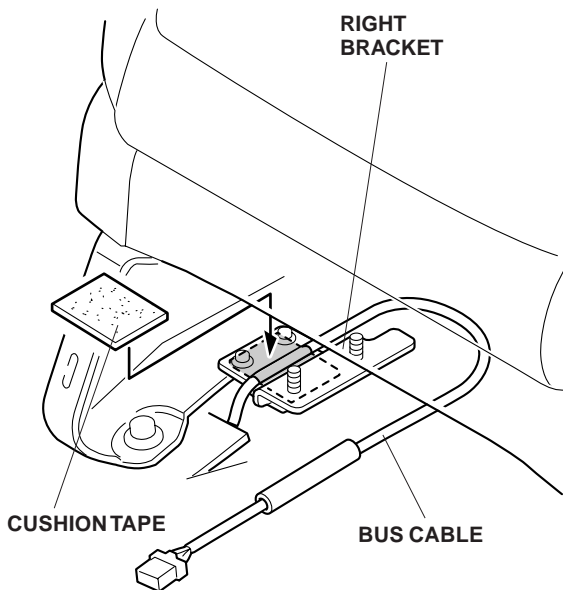
21. Using isopropyl alcohol on a shop towel, clean the area where the EPT sealer will attach.
22. Attach the EPT sealer at the edge of the center console in the area shown.
23. Wrap one cushion tape around the bus cable in the area shown.



- Install the right and left base brackets into the holes in the driver's seat raisers, and install four 6 x 12 mm flange bolts into each bracket. Do not tighten the bolts yet.



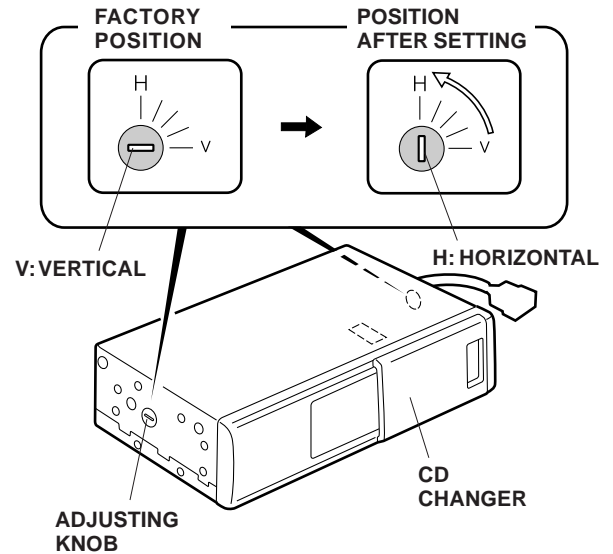
- Using isopropyl alcohol on a shop towel, clean the area where the cushion tape will attach.



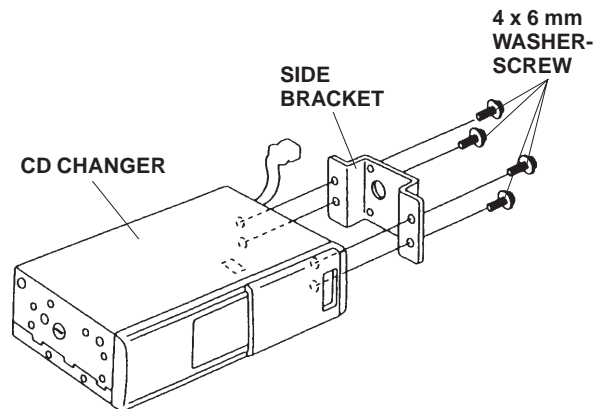
- Secure the bus cable to the right bracket with one cushion tape.

## Installing the CD Changer

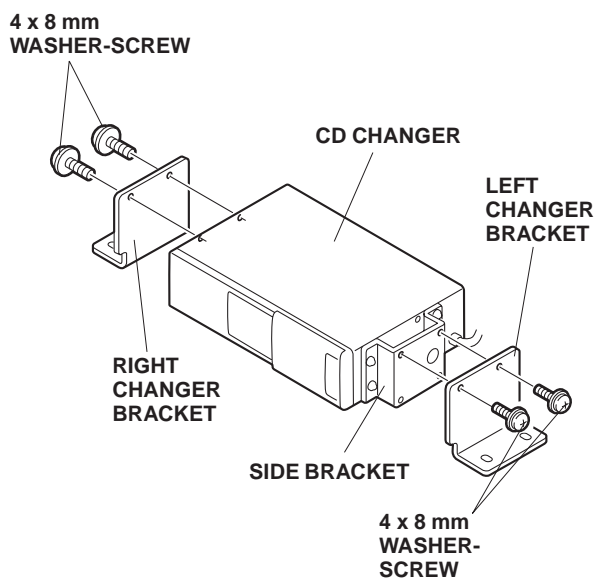
- Set the adjusting knobs in the "H: HORIZONTAL" position.



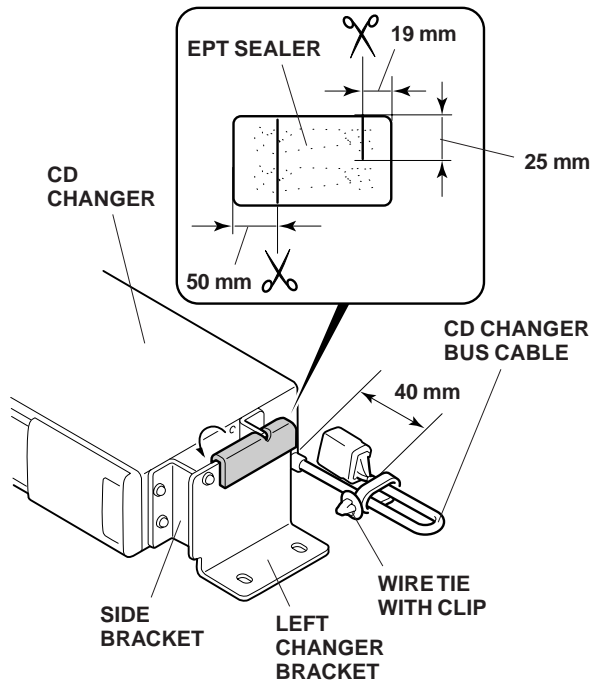
- The factory position of the adjusting knobs are in the vertical (V) position. If necessary, move them to the horizontal (H) position.
- Position the side bracket on the CD changer, and install four 4 x 6 mm washer-screws.



30. Install the right changer bracket on the CD changer using two 4 x 8 mm washer-screws. Install the left bracket on the side bracket using two 4 x 8 mm washer-screws.

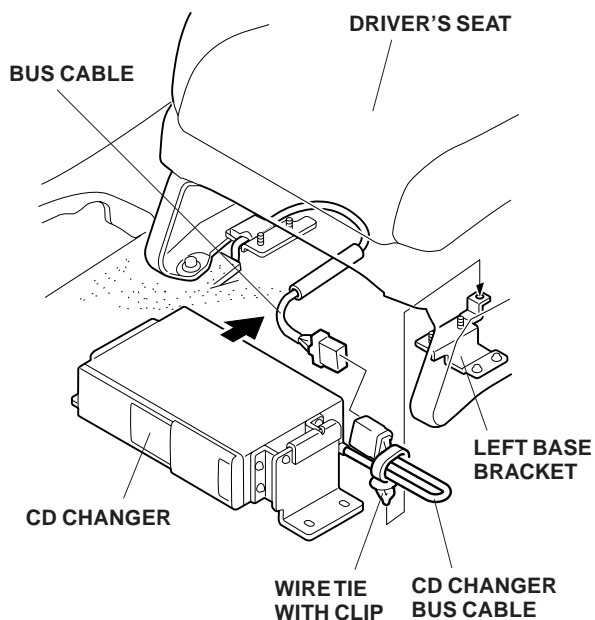


31. Using isopropyl alcohol on a shop towel, clean the area where the EPT sealer will attach.

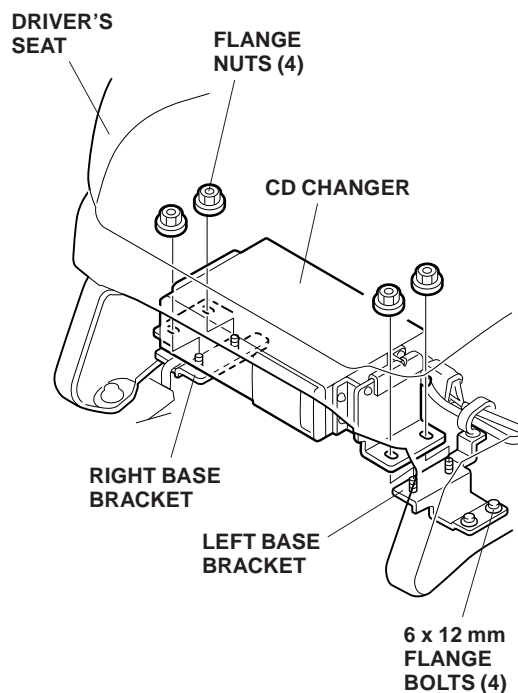


32. Measure and cut the EPT sealer as shown. Attach the EPT sealer to the left changer bracket.  
33. Bundle up the CD changer bus cable using one wire tie with clip in the area shown.

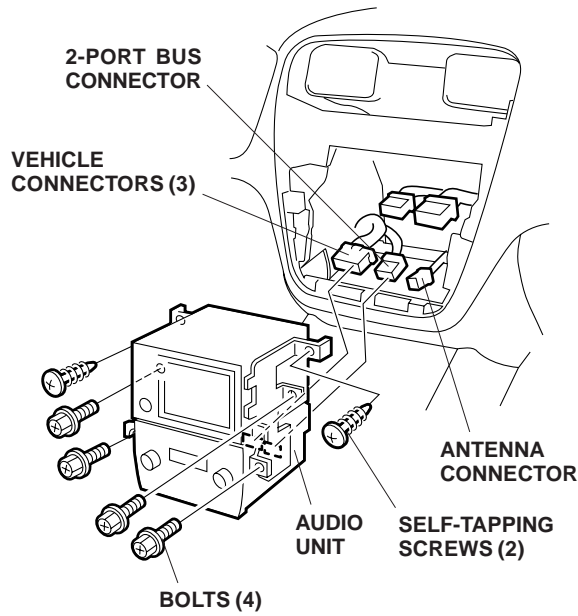
34. Connect the bus cable connector to the CD changer connector.



35. Secure the clip of the wire tie, with which you bundled the bus cable, to the left bracket.  
36. Position the CD changer on the base brackets, and tighten the 6 x 12 mm flange bolts you installed in step 24. Install four flange nuts on the end of each stud extending from the base brackets, and tighten them securely.



37. Plug the 2-port bus cable connector, the vehicle connectors, and the antenna connector into the rear of the audio unit.



38. Check that all wire harnesses are routed properly and all connectors are plugged in.
39. Connect the negative cable to the battery. Enter the customer's radio anti-theft code, and reset the radio station presets.
40. Check that the radio and the CD changer work according to the proper Owner's Manual.