



# INSTALLATION INSTRUCTIONS

Accessory

REAR UNDER SPOILER

Application

2004 TL

Publications No.

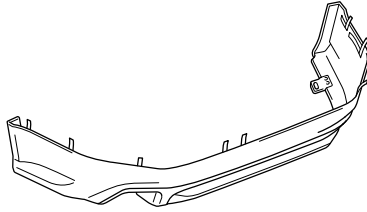
**BII 25342**

Issue Date

**SEP 2003**

## PARTS LIST

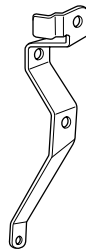
Rear under spoiler



Left bracket  
(Marked L)



Right bracket  
(Marked R)



6 Fender bolts



4 Short screws



4 Long screws



2 Clips



6 Flange nuts



## TOOLS AND SUPPLIES REQUIRED

Phillips screwdriver

Flat-tip screwdriver

Ratchet

10 mm Socket

Drill

3 mm, 6 mm, and 10 mm Drill bits

Blanket

Pushpin

Masking tape

Eye protection (face shield, safety goggles, etc.)

Tape measure

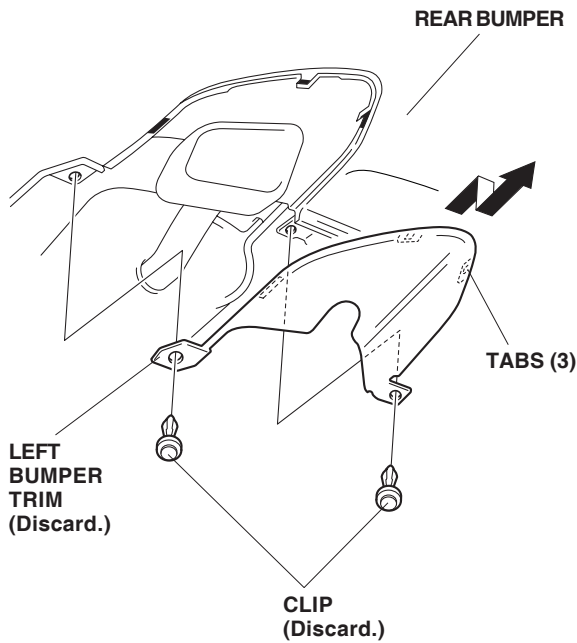
## INSTALLATION

**Customer Information:** The information in this installation instruction is intended for use only by skilled technicians who have the proper tools, equipment, and training to correctly and safely add equipment to your vehicle. These procedures should not be attempted by "do-it-yourselfers."

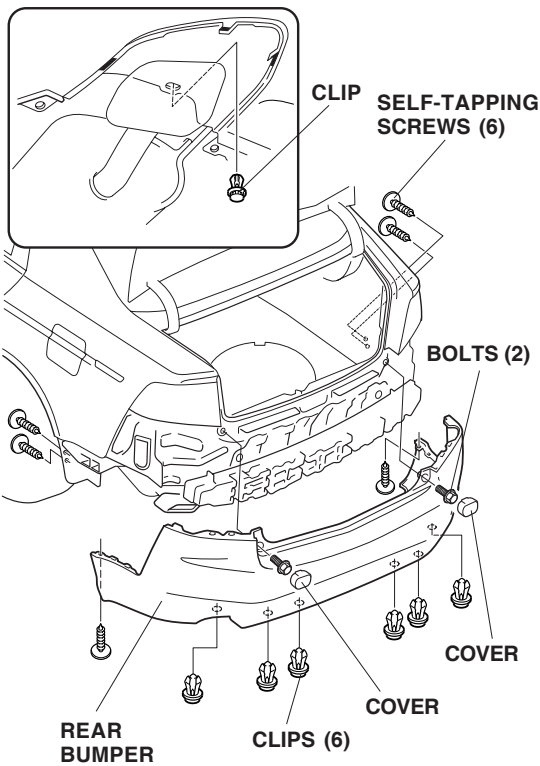
### NOTE:

- Be careful not to damage the rear bumper and body paint finish.
- To prevent damage to the bumper, set it on a blanket during installation of the rear under spoiler.
- Splash guards cannot be installed with the rear under spoiler.

1. Remove the left bumper trim (two clips, and unhook the three tabs), then remove the right bumper trim.

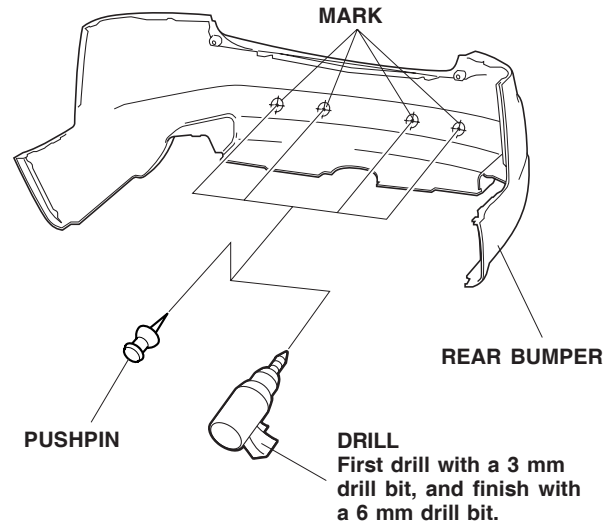


2. Remove the rear bumper (two covers, two bolts, six clips and six self-tapping screws).

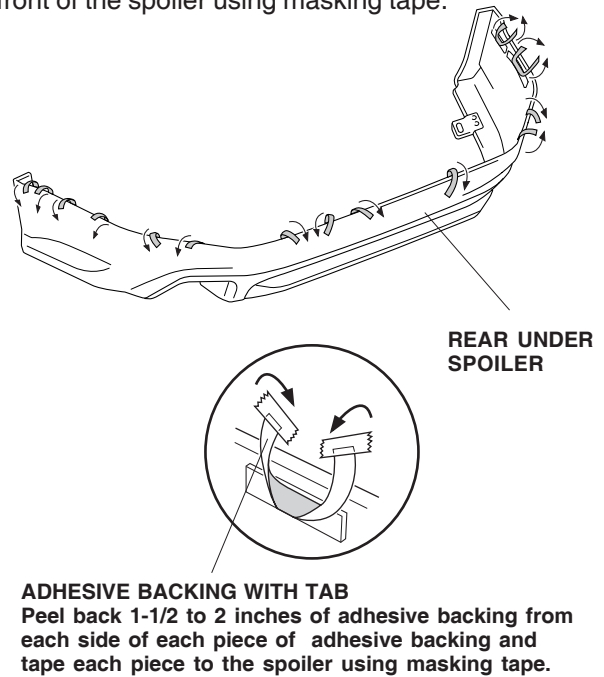


3. Inside the rear bumper, locate the four marks scribed into the bumper.

- Using a pushpin, make a hole through each of the four marks.
- While wearing eye protection, drill a 6 mm hole at each location. Start with a 3 mm drill bit and finish with a 6 mm drill bit.
- Remove all burrs from the drill holes.

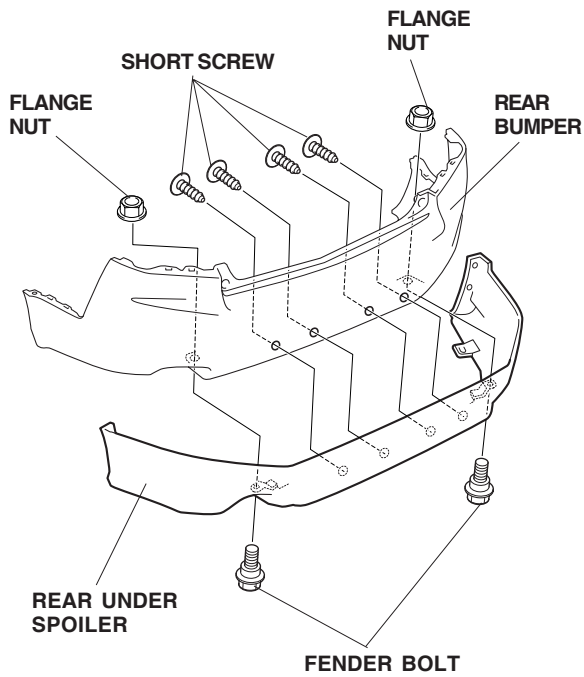


4. On the rear under spoiler, remove 1-1/2 to 2 inches of adhesive backing from each side of each piece of adhesive backing, and tape each piece to the front of the spoiler using masking tape.

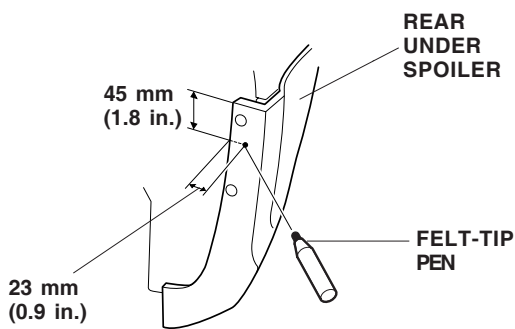


5. Using isopropyl alcohol, thoroughly clean the rear bumper where the adhesive tapes will attach.

- Fit the rear under spoiler against the rear bumper and install the rear under spoiler to the bumper with four short screws, two fender bolts, and two flange nuts.

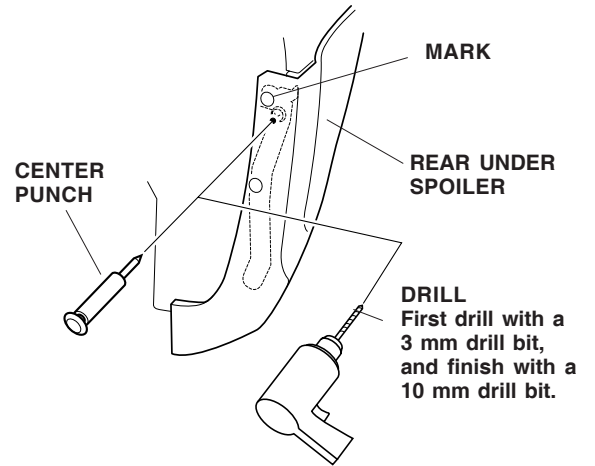


- Using a tape measure and a felt-tip pen, measure and mark the rear under spoiler in the area shown.

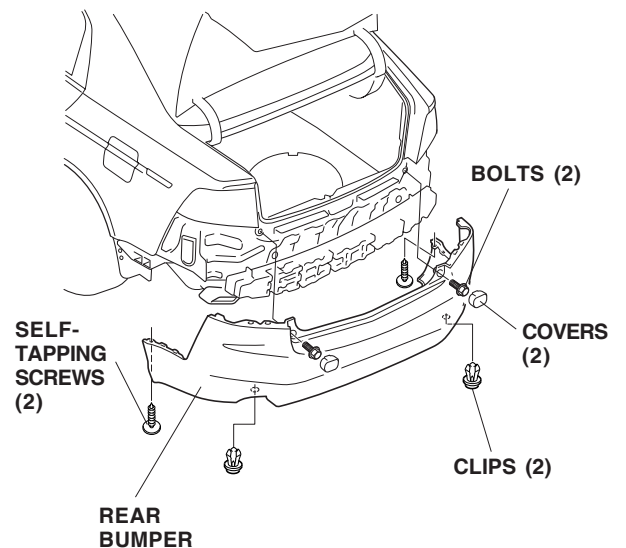


- While wearing eye protection, center-punch the mark, and drill a 10 mm hole through the center-punched location.

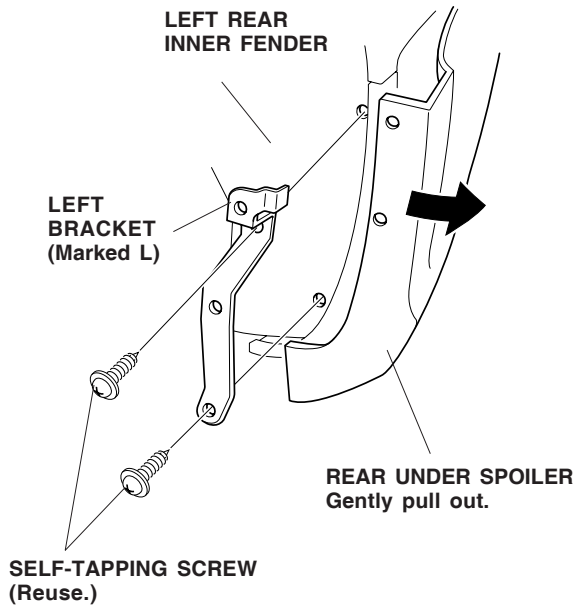
- Start with a 3 mm drill bit and finish with a 10 mm drill bit. Take care not to damage the bracket and self-tapping screw behind the rear under spoiler when drilling.
- Remove all burrs from the drill holes.



- Reinstall the rear bumper to the vehicle using two bolts, two clips, two self-tapping screws, and two covers.

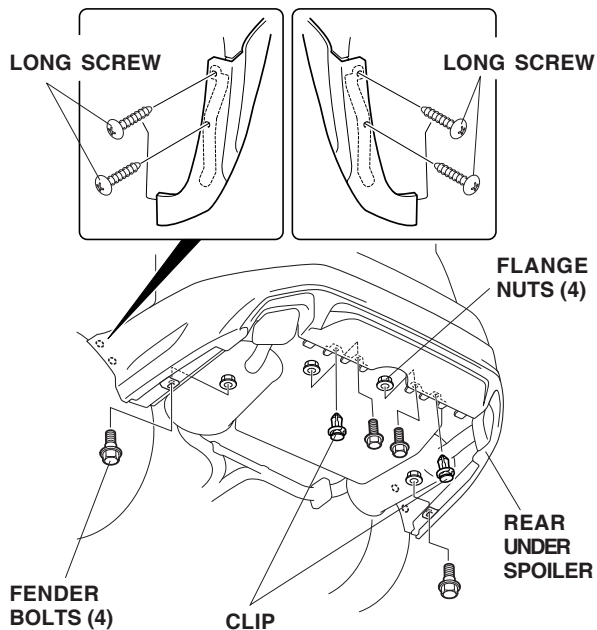


10. Gently pull out the left side of the rear under spoiler, and install the left bracket to the rear inner fender.



11. Gently pull out the right side of the rear under spoiler, and install the right bracket on the inner fender.

12. Attach the left and the right ends of the rear under spoiler using the four long screws supplied.



13. Install the spoiler to the vehicle with the two long clips, and four fender bolts with flange nuts.

14. Remove the adhesive backings:

- Starting at the center of the rear under spoiler, slowly and carefully remove the adhesive backings.
- At the corners, push up on the spoiler until the spoiler and bumper are properly aligned, then remove the adhesive backings.
- After attaching, hold the under spoiler firmly against the rear bumper with the palm of your hand for 30 seconds, particularly at the edges.

