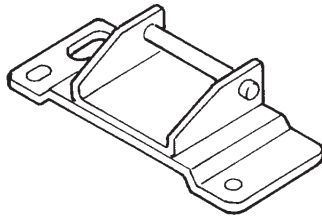




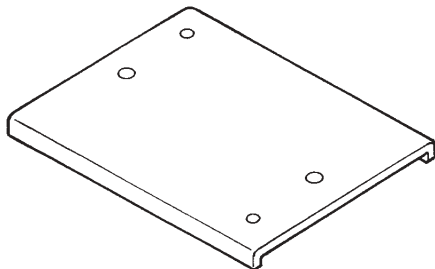
INSTALLATION INSTRUCTIONS	Accessory	Application	Publications No.
	INTERIOR BIKE ATTACHMENT P/N 08L07-S3V-200	2003 MDX	BII 24559
			Issue Date
			SEP 2002

PARTS LIST

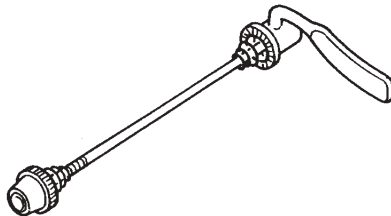
Holder



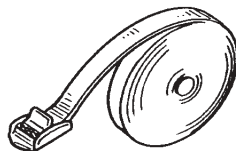
Bracket



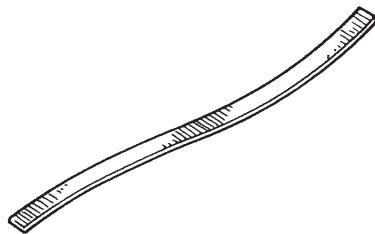
Quick shaft



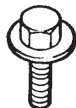
Belt



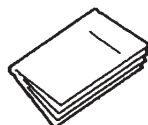
2 Velcro fasteners



2 Washer-bolts



Owner's Manual



TOOLS AND SUPPLIES REQUIRED

12 mm Combination wrench

Tape measure

Drill

3 mm and 10 mm Drill bits

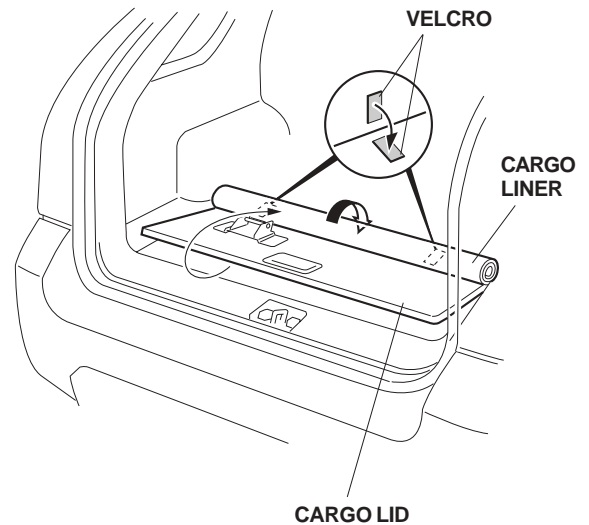
Eye protection (face shield, safety goggles, etc.)

INSTALLATION

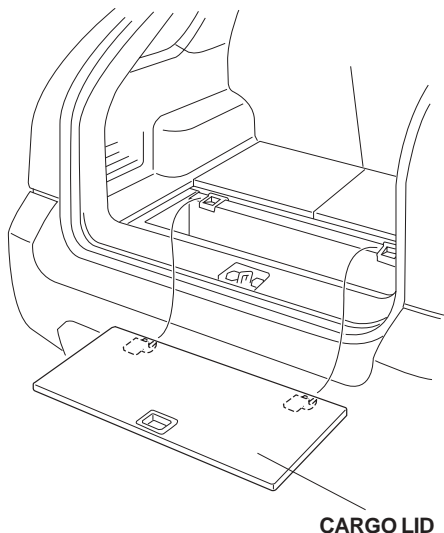
Customer Information: The information in this installation instruction is intended for use only by skilled technicians who have the proper tools, equipment, and training to correctly and safely add equipment to your vehicle. These procedures should not be attempted by "do-it-yourselfers."

NOTE:

- Determine the type of bicycle (mountain or road) that the bike rack will be carrying.
- If a cargo liner is installed, remove the cargo liner from the cargo lid, and roll up the cargo liner. Attach the Velcro of the rolled-up cargo liner to the Velcro on the cargo liner.

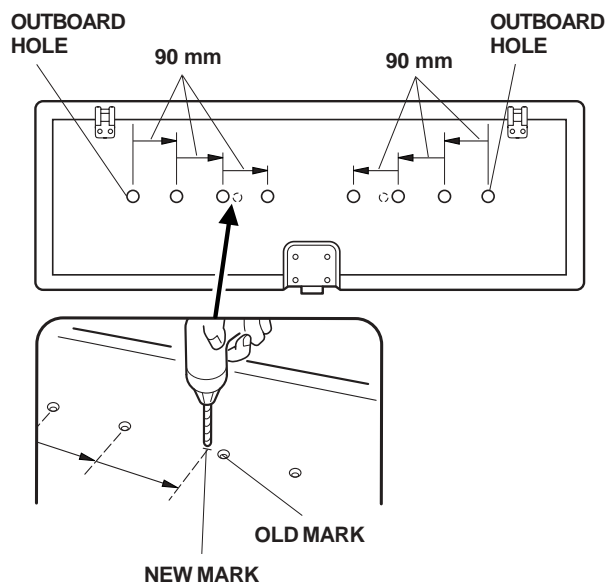


1. Open the tailgate, and remove the cargo lid.

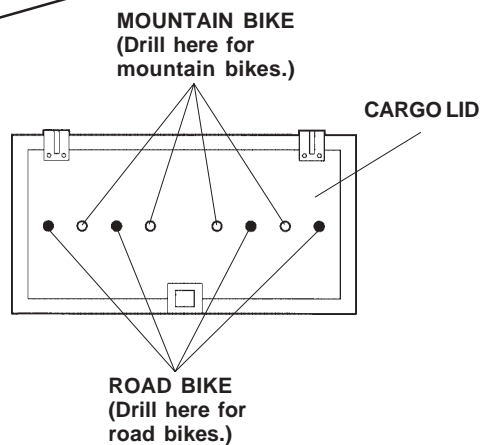
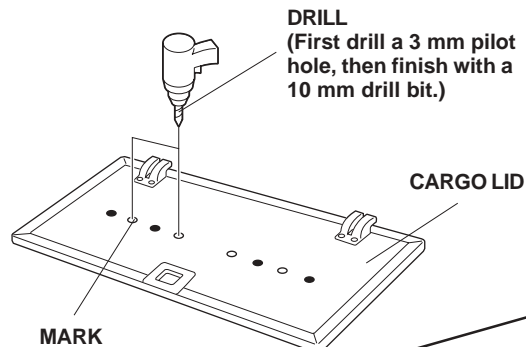


2. Turn the lid over, and locate the marks on the surface of the cargo lid. Measure the distance between the four marks on each side of the lid.

- If the distance between each mark is 90 mm, go to step 3; otherwise, continue with step 2.
- Starting from each outboard hole, measure 90 mm and make new marks (as necessary) on the cargo lid as shown. Center-punch the new mark(s).



3. While wearing eye protection, drill a 3 mm pilot hole and then a 10 mm hole through one set of two marks as indicated, depending on which side you want to mount the bike rack. Drill in the appropriate location depending on the type of bicycle to be carried, either a mountain bike or a road bike.



4. Position the holder and bracket on the cargo lid, and install the two washer-bolts. Tighten the bolts securely.

