

# INSTALLATION INSTRUCTIONS

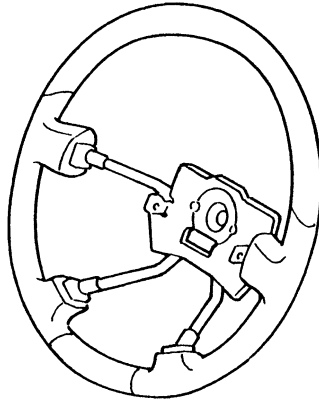
Accessory  
**WOOD TRIM STEERING WHEEL**  
 PN 08U97-S3V-210 (BLACK)  
 P/N 08U97-S3V-270 (SADDLE)

Application  
**2002 MDX**

Publications No.  
**BII 23302**  
 Issue Date  
**NOV 2001**

## PARTS LIST

Wood trim steering wheel



2 Torx bolts



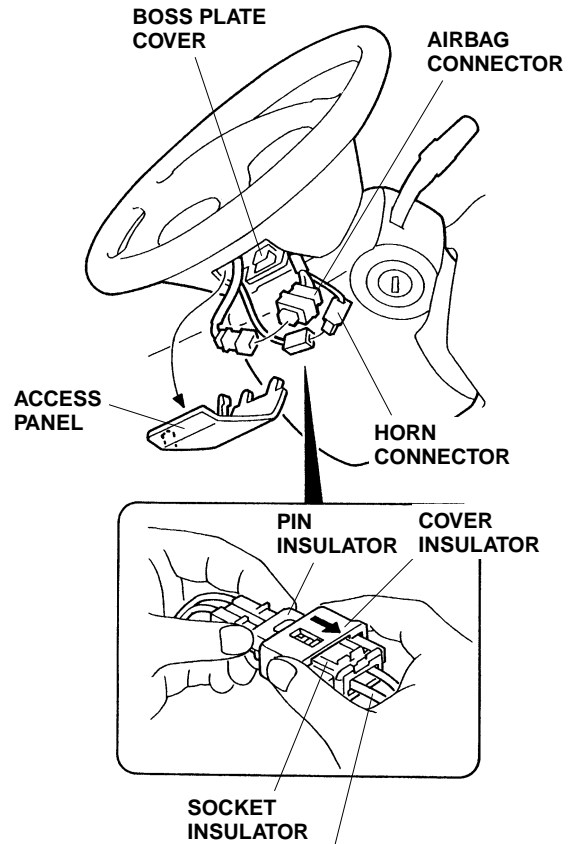
## TOOLS AND SUPPLIES REQUIRED

- Phillips screwdriver
- 10 mm Combination wrench
- Flat-tip screwdriver
- 19 mm Socket
- Ratchet
- Torque wrench
- Combination wrench
- Steering wheel puller
- Service Manual
- T30 Torx bit

## INSTALLATION

**Customer Information:** The information in this installation instruction is intended for use only by skilled technicians who have the proper tools, equipment, and training to correctly and safely add equipment to your vehicle. These procedures should not be attempted by "do-it-yourselfers."

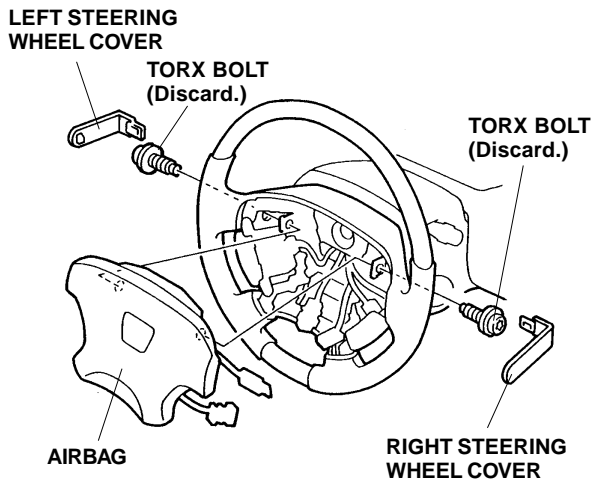
1. Make sure you have the anti-theft code for the radio, then write down the frequencies for the preset buttons.
2. Disconnect the negative cable from the battery, and wait for at least 3 minutes before you start to install the wood trim steering wheel.
3. Pry up on the retaining tabs, and remove the access panel from the underside of the driver's side airbag.
4. Remove the horn connector and the airbag connector from the boss plate cover. Unplug the horn connector.



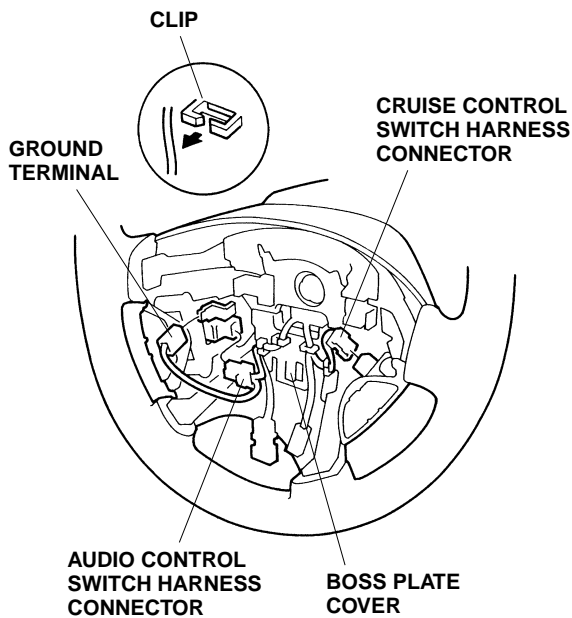
Do not hold onto the harness wires.

5. Unplug the airbag connector; while holding the pin insulator, pull out on the cover insulator. Do not pull on the socket insulator.

- Remove the right and left steering wheel covers, being careful not to damage the retaining tabs.



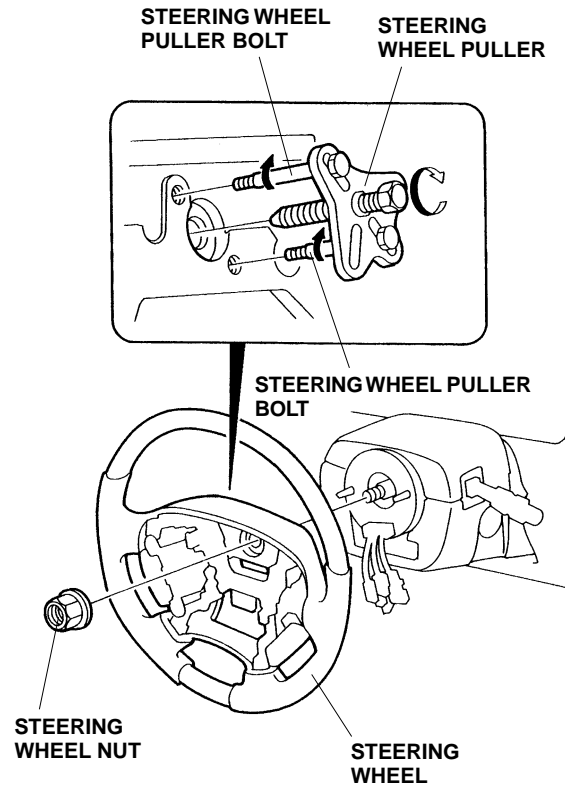
- Remove and discard the two bolts securing the airbag, and remove the airbag. Carefully set the airbag in a secure location with the pad facing up. Do not drop or bump the airbag against anything.
- Turn the steering wheel so the front wheels are in the straight-ahead position.
- Disconnect the audio control switch harness connector, the cruise control switch harness connector, and the ground terminal.



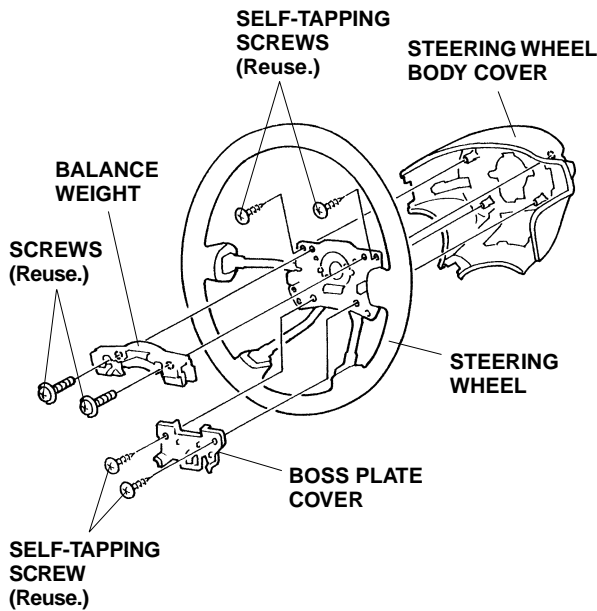
- Release the airbag harness, the audio control switch harness, the cruise control switch harness, and the ground terminal from the four clips on the boss plate cover.

- Remove the steering wheel nut, and remove the steering wheel. Be careful not to move the steering wheel during removal.

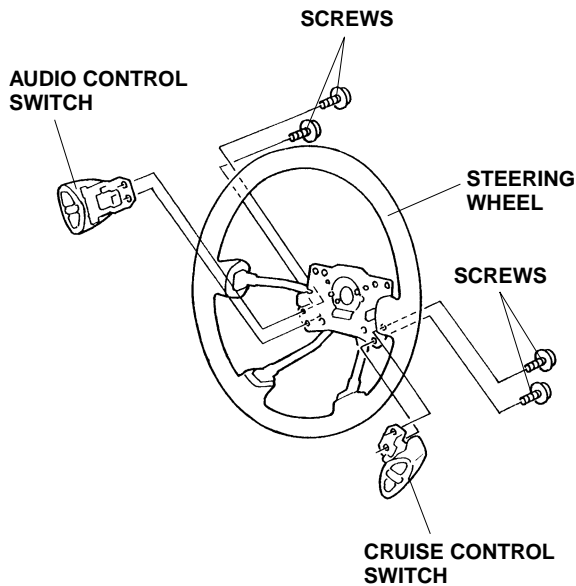
If a steering wheel puller is needed to remove the steering wheel, be careful not to thread the steering wheel puller bolts more than 10 mm.



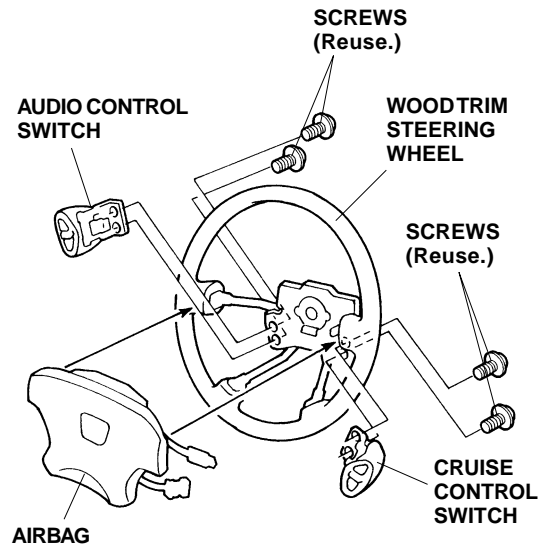
- Remove the steering wheel balance weight (two screws).



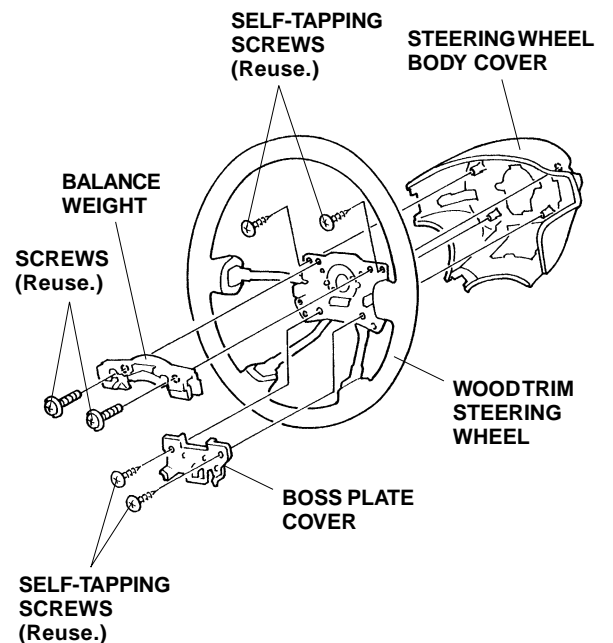
- Remove the steering wheel body cover and the boss plate cover by removing the four self-tapping screws.
- Remove the two screws that fasten the audio control switch and the two screws that fasten the cruise control switch. Remove the switches.



- Transfer the audio control switch and the cruise control switch to the wood trim steering wheel, but don't tighten the screws yet.



- Temporarily set the airbag into position on the wood trim steering wheel. While holding the audio control switch and the cruise control switch against the airbag, tighten the screws.
- Remove the airbag and safely set it aside.
- Install the boss plate cover and the steering wheel body cover onto the wood trim steering wheel with the four self-tapping screws.



- Install the steering wheel balance weight onto the wood trim steering wheel with the two screws.

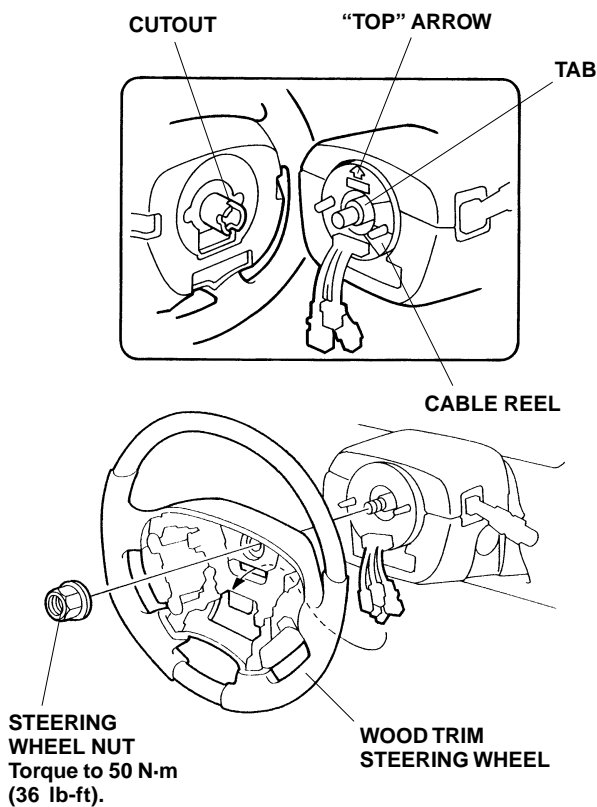
If the cable reel was moved, continue with step 20; if it was not moved, go to step 21.

20. Align the cable reel:

- Rotate the cable reel clockwise all the way until it will no longer go.
- Turn the cable reel counterclockwise about two complete turns until the "TOP" arrow on the cable reel points up.

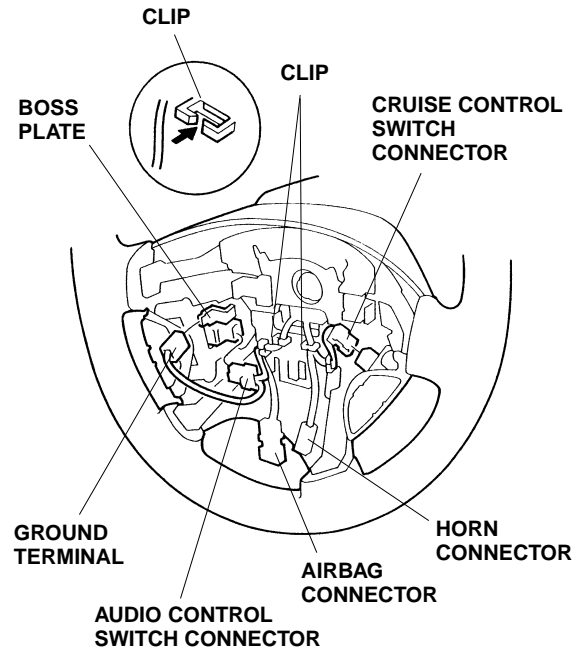
21. Install the wood trim steering wheel on the steering column shaft in the straight-ahead position:

- Route the wire harnesses through the opening in the wood trim steering wheel.
- Align the two tabs of the canceling sleeve with the two cutouts in the steering wheel as shown.
- Check that the wire harnesses are not pinched.



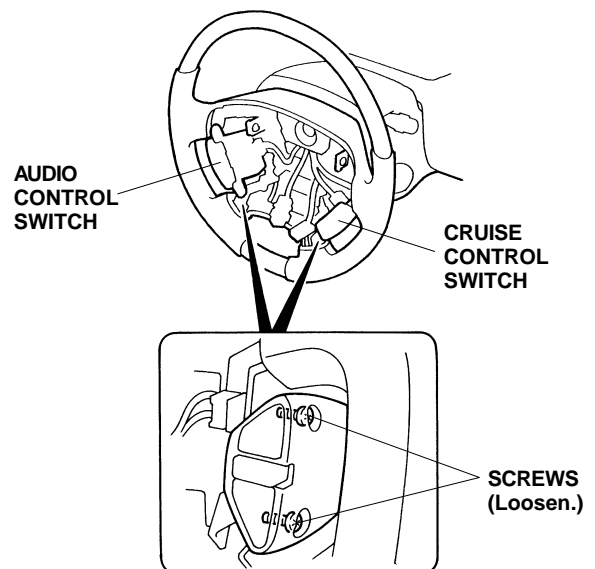
22. Install the steering wheel nut. Torque the steering wheel nut to 50 N·m (36 lb-ft).

23. Plug in the connectors for the cruise control switch and the audio control switch, and connect the ground terminal to the boss plate.

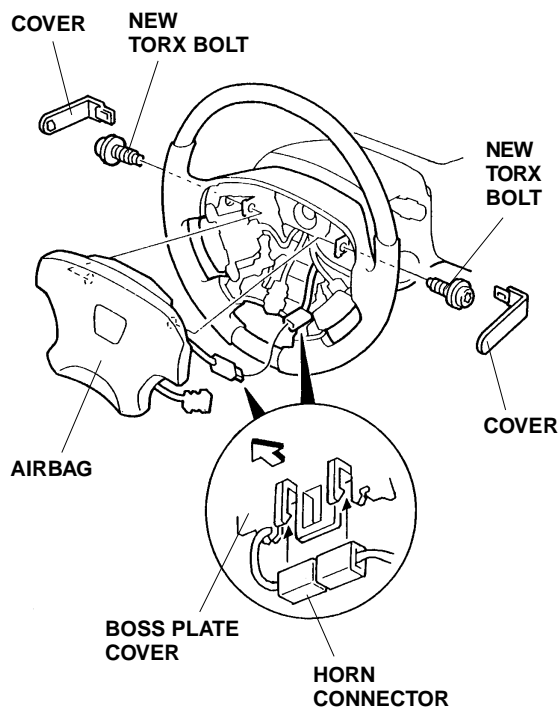


24. Attach the cruise control switch wires, the audio control switch wires (if equipped), the airbag connector wires, the horn wire, and the ground terminal wire to the wire clips.

25. On the sides of the steering wheel, loosen the two screws that secure the cruise control switch and the two screws that secure the audio control switch to the brackets.



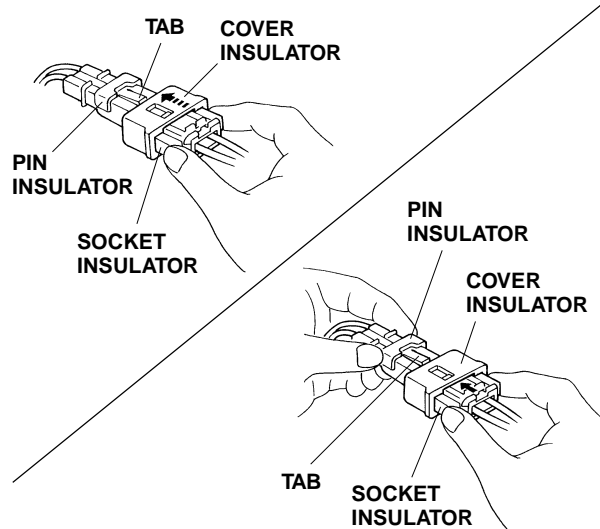
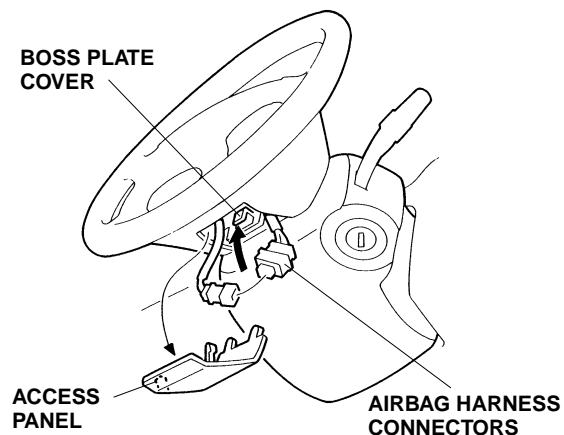
26. Get the airbag, and route the horn harness and the airbag harness down through the steering wheel. Position the airbag on the wood trim steering wheel, and install the two Torx bolts supplied. Torque the Torx bolts to 10 N·m (7 lb-ft).



27. Reinstall the covers.
28. Tighten the screws you loosened in step 25 that secure the audio control switch and the cruise control switch.
29. From under the steering wheel, plug in the horn connectors, and attach the connector to the back of the boss plate cover.
30. Connect the airbag harness connectors:

- Push the socket insulator onto the pin insulator until it contacts the tab on the pin insulator.
- Do not push the socket insulator onto the pin insulator by pushing on the cover insulator.

- Continue pushing on the socket insulator in the same direction until the cover insulator rides over the tab on the pin insulator and is locked securely.
- Reattach the airbag harness connector to the boss plate cover.
- Reinstall the access panel.



31. Reconnect the negative cable to the battery.
32. Make sure the steering wheel is in the straight-ahead position with the front wheels.
33. Verify that the horn works.
34. Turn the ignition key on, and verify that the SRS warning light comes on and stays on for 6 seconds; turn the key off to make sure the SRS warning light goes off.
35. Enter the customer's radio anti-theft code, and reset the radio station presets.
36. Reset the clock.