



# INSTALLATION INSTRUCTIONS

Accessory

FENDER FLARES  
P/N 08P21-S3V-200

Application

2002 MDX

Publications No.

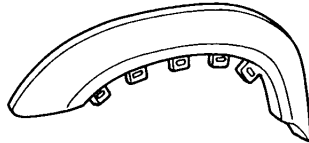
BII 23286

Issue Date

NOV 2001

## PARTS LIST

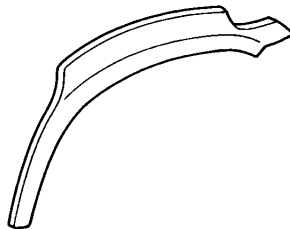
Left front fender flare



Left front bumper flare



Left rear fender flare



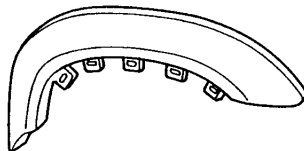
Left rear bumper flare



Left rear door flare



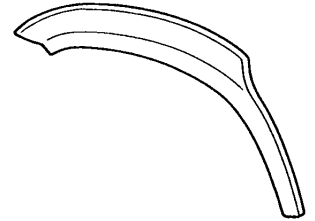
Right front fender flare



Right front bumper flare



Right rear fender flare



Right rear bumper flare



Right rear door flare



4 Self-tapping screws



4 Spring nuts



## TOOLS AND SUPPLIES REQUIRED

Stubby Phillips screwdriver

Phillips screwdriver

Flat-tip screwdriver

Ratchet

10 mm Combination wrench

Contact cleaner

Shop towel

Masking tape

Adhesive tape

## INSTALLATION

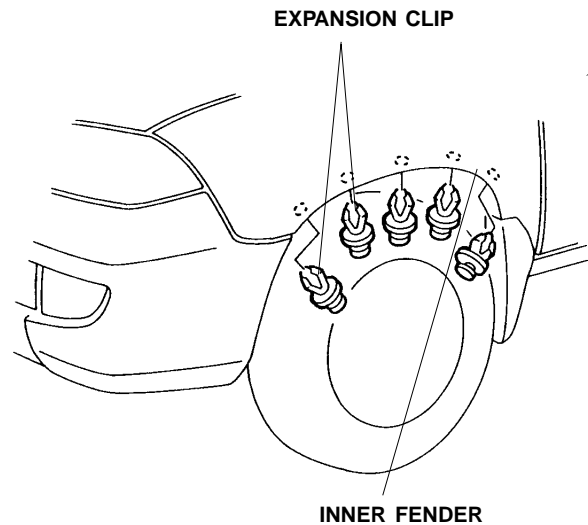
**Customer Information:** The information in this installation instruction is intended for use only by skilled technicians who have the proper tools, equipment, and training to correctly and safely add equipment to your vehicle. These procedures should not be attempted by "do-it-yourselfers."

### NOTE:

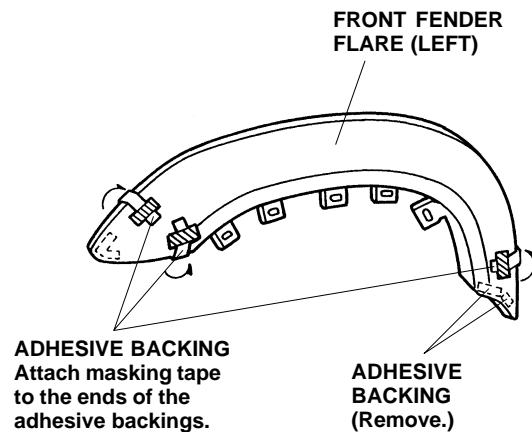
- Be careful not to damage the finished surfaces of the body when installing the fender flares.
- This fender flare kit should be installed only when the ambient air temperature is 60°F (15°C) or above.
- To allow the adhesive to "cure", do not wash the vehicle for 24 hours.
- After attaching the trims, press them firmly against the body with the palm of your hand.
- These instructions show the left fender flares being installed; the same procedure applies to installing the right fender flares.
- This fender flare kit cannot be installed if the vehicle you are working on is equipped with a full nose mask.

## Installing the Front Fender Flare

1. On the left side of the vehicle, remove the five expansion clips fastening the inner fender.

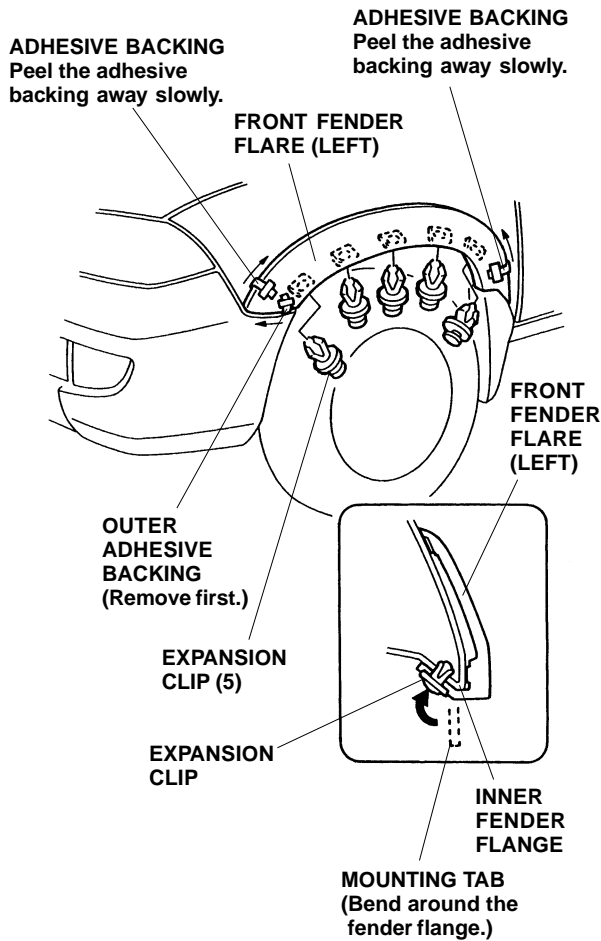


2. On the inside of the fender flare, peel approximately one inch from the back of each adhesive tape, and tape it to the fender flare using masking tape. Remove the adhesive backings from the ends of the fender flare.



3. Using isopropyl alcohol on a shop towel, thoroughly clean the front fender where the fender flare will attach.

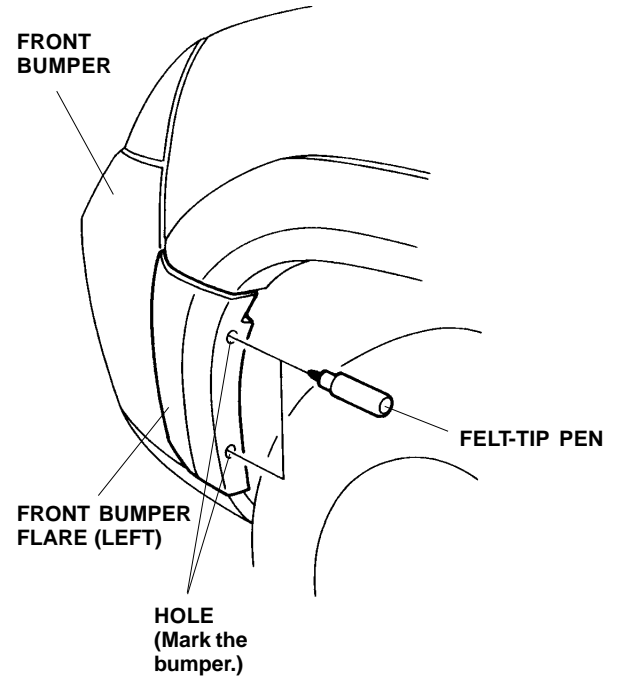
- Align the ends of the front fender flare with the front and rear ends of the front fender. Bend the mounting tabs around the fender flange as shown.



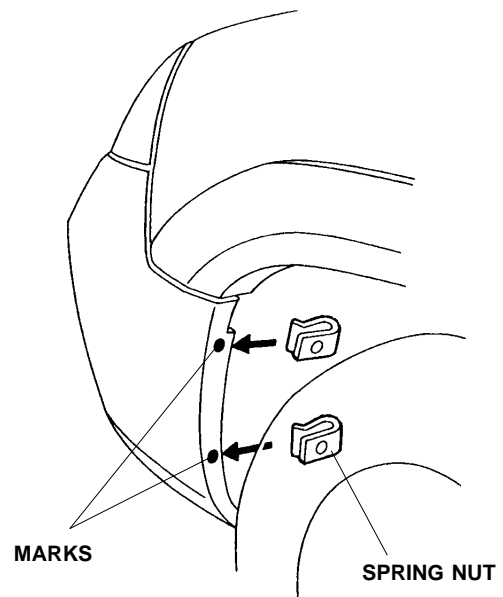
- Install the five expansion clips through the holes in the fender flare and fender flange.
- Remove the adhesive backings from the fender flare:
  - Start with the outer adhesive backing.
  - Slowly and carefully peel the adhesive backing from the fender flare.
  - After removing the adhesive backing, press the fender flare firmly against the fender with the palm of your hand, particularly at the edges.

## Installing the Front Bumper Flare

- Position the front bumper flare on the front bumper, and align it with the top edge of the front bumper against the front bumper flare. Using a felt-tip pen, mark the front bumper at the centers of the two holes in the front bumper flare.



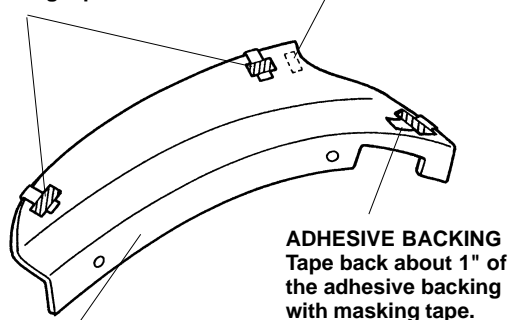
- Remove the front bumper flare, and slide a spring nut over each of the two marks you just made.



- Peel back approximately one inch from the back of each adhesive tape, and tape it to the front bumper flare using masking tape. Remove the small piece of adhesive backing from the top of the front bumper flare.

**ADHESIVE BACKING**  
Tape back about 1" of the adhesive backing with masking tape.

**ADHESIVE BACKING (Remove.)**



**FRONT BUMPER FLARE (LEFT)**

- Using isopropyl alcohol on a shop towel, thoroughly clean the area where the front bumper flare will attach.
- Position the front bumper flare on the front bumper, and align it with the top of the front bumper. Install two self-tapping screws through the bumper.

Align with the top edge of the front bumper.

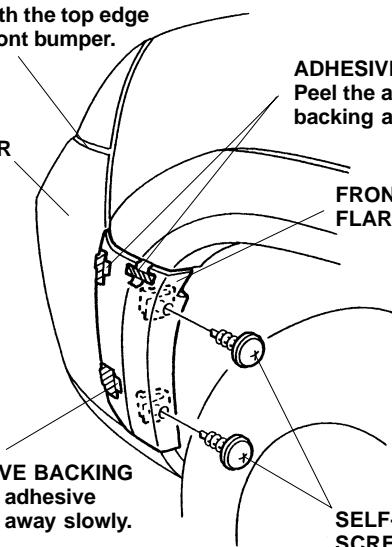
**FRONT BUMPER**

**ADHESIVE BACKING**  
Peel the adhesive backing away slowly.

**FRONT BUMPER FLARE (LEFT)**

**ADHESIVE BACKING**  
Peel the adhesive backing away slowly.

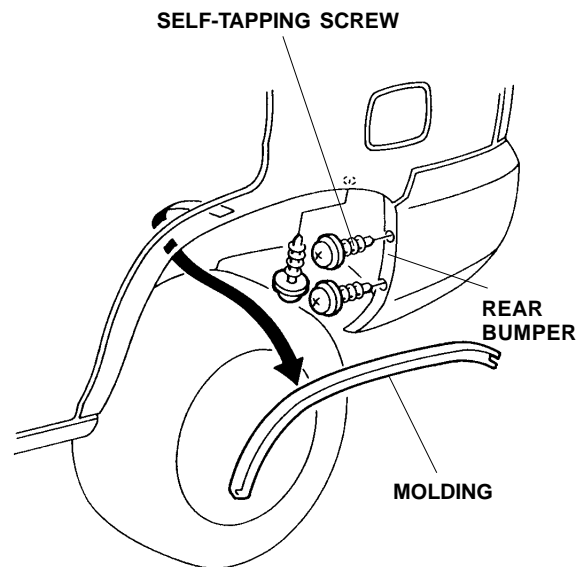
**SELF-TAPPING SCREWS**



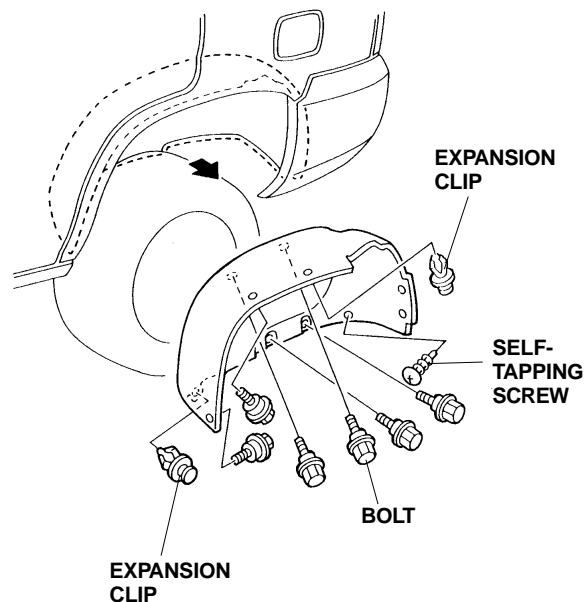
- Remove the adhesive backings from the front bumper flare:
  - Start with the top adhesive backing.
  - Slowly and carefully peel the adhesive backing from the front bumper flare.
  - After removing the adhesive backing, press the front bumper flare firmly against the fender with the palm of your hand, particularly at the edges.

## Installing the Rear Fender Flare

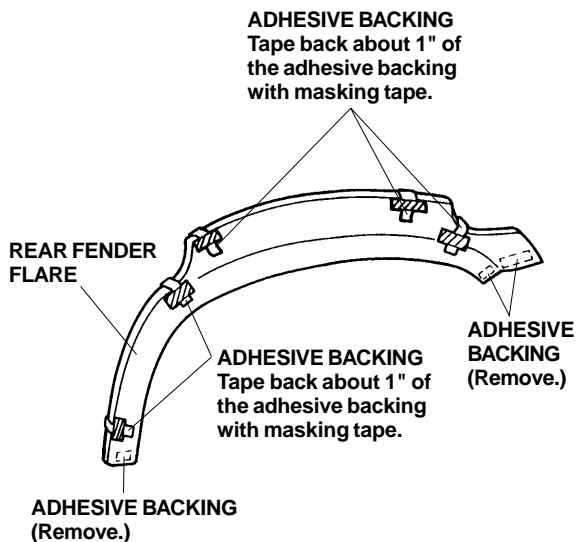
- Remove the molding from the inner fender flange.



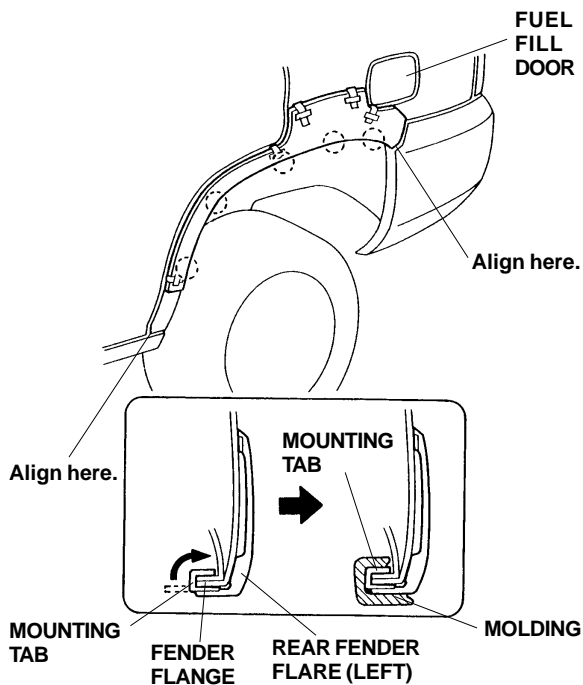
- Remove the three self-tapping screws that fasten the rear bumper.
- Remove the inner fender by removing the six bolts, two expansion clips, and self-tapping screw.



16. On the inside of the rear fender flare, peel approximately one inch from the back of each adhesive tape, and tape it to the rear fender flare using masking tape. Remove the three small pieces of adhesive backing from the rear fender flare.



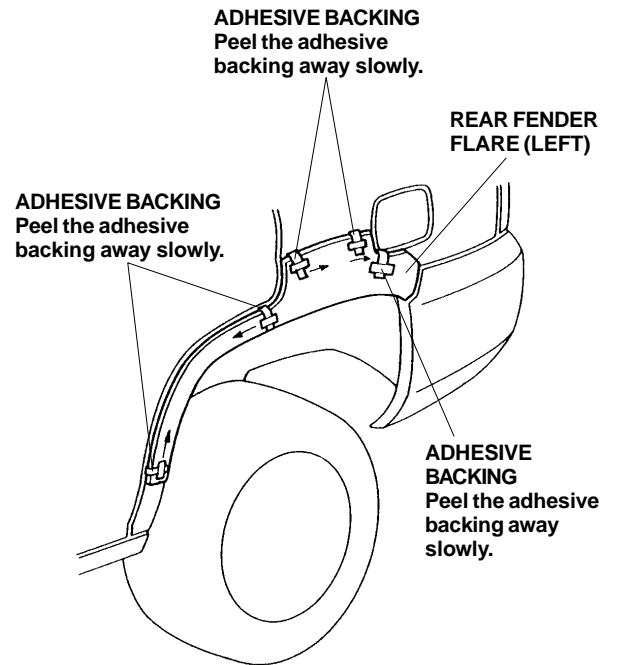
17. Using isopropyl alcohol on a shop towel, thoroughly clean the area where the rear fender flare will attach.
18. Position the rear fender flare on the rear fender, and align it with the front and rear ends of the rear fender and fuel fill door. Bend the mounting tabs around the fender flange.



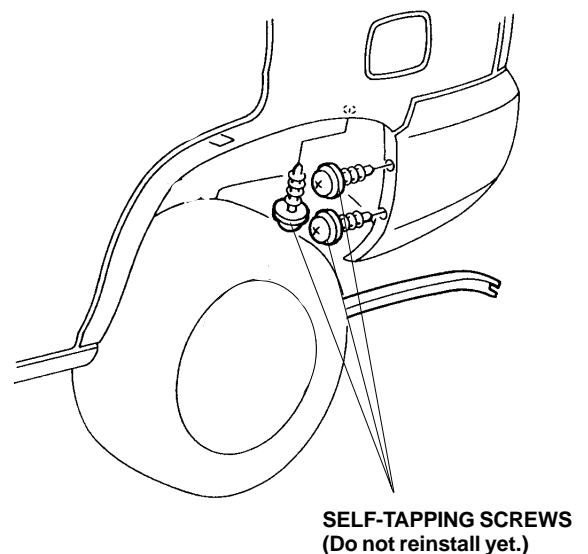
19. Install the molding on the rear fender and fender flanges.

20. Remove the adhesive backings from the rear fender flare:

- Slowly and carefully peel the adhesive backing from the rear fender flare.
- After removing the adhesive backing, press the rear fender flare firmly against the fender with the palm of your hand, particularly at the edges.



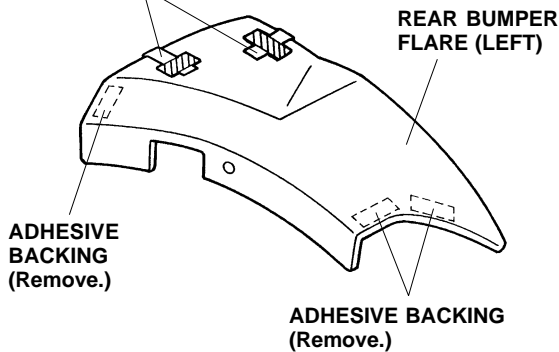
21. Reinstall the inner fender, but don't reinstall the three self-tapping screws into the rear bumper yet. Reinstall the expansion clips securely without lifting up on the rear fender flare.



## Installing the Rear Bumper Flare

22. On the inside of the rear bumper flare, peel approximately one inch from the back of each adhesive tape, and tape it to the fender flare using masking tape. Remove the three small pieces of adhesive backing from the rear bumper flare.

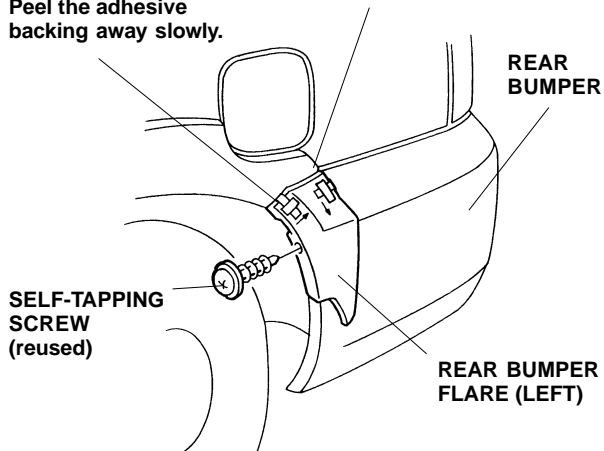
**ADHESIVE BACKING**  
Tape back about 1" of the adhesive backing with masking tape.



23. Using isopropyl alcohol on a shop towel, thoroughly clean the area where the rear bumper flare will attach.
24. Position the rear bumper flare on the rear bumper, and align it with the top edge of the rear bumper. Reinstall the three self-tapping screws you removed in step 14 through the rear fender flare.

**ADHESIVE BACKING**  
Peel the adhesive backing away slowly.

Align with the top edge of the bumper.

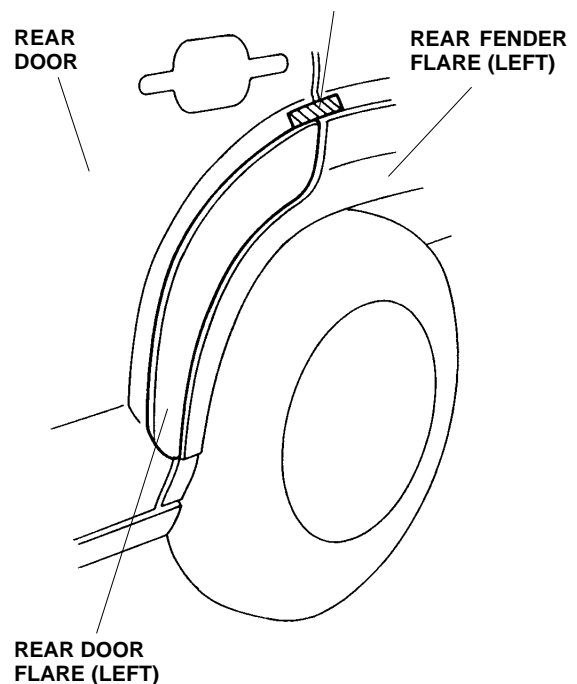


25. Remove the adhesive backings from the rear bumper flare:
- Slowly and carefully peel the adhesive backing from the rear bumper flare.
  - After removing the adhesive backing, press the rear bumper flare firmly against the rear bumper with the palm of your hand, particularly at the edges.

## Installing the Rear Door Flare

26. Using isopropyl alcohol on a shop towel, thoroughly clean the area where the rear door flare will attach.
27. Position the rear door flare on the rear door, and align its upper edge with the upper edge of the rear fender flare. Attach a piece of masking tape to the door along the upper edge of the rear fender flare and the rear door flare.

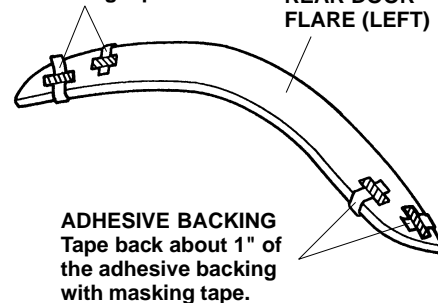
**MASKING TAPE**  
Attach a piece of masking tape along the upper edge of the rear door flare and the rear fender flare.



28. On the inside of the rear door flare, peel approximately one inch from the back of each adhesive tape, and tape it to the rear door flare using masking tape.

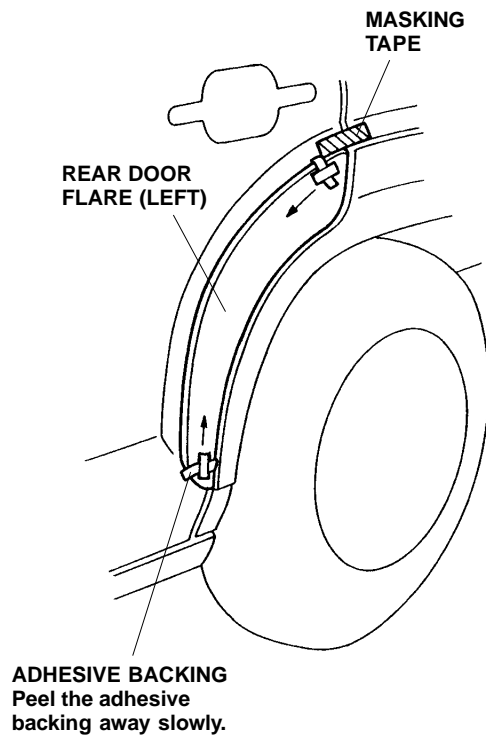
**ADHESIVE BACKING**  
Tape back about 1" of the adhesive backing with masking tape.

REAR DOOR FLARE (LEFT)



29. Reposition the rear door flare on the rear door along the piece of masking tape, and remove the adhesive backings from the rear door flare:

- Slowly and carefully peel the adhesive backing from the rear door flare.
- After removing the adhesive backing, press the rear door flare firmly against the rear door with the palm of your hand, particularly at the edges.



30. Remove all of the masking tape.

31. Repeat steps 1 through 30 to install the fender flares on the right side of the vehicle.