



INSTALLATION INSTRUCTIONS

Accessory

**AIR DEFLECTOR
P/N 08P47-S3V-200**

Application

2002 MDX

Publications No.

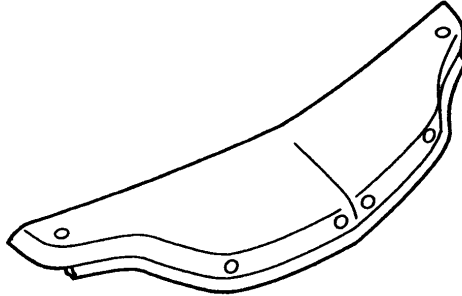
BII 23276

Issue Date

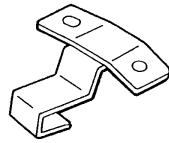
NOV 2001

PARTS LIST

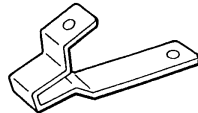
Air deflector



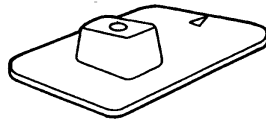
Center bracket



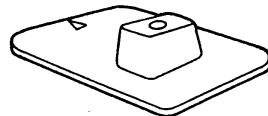
2 Side brackets



Right side support



Left side support



2 Grommets



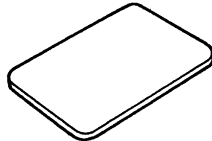
2 Self-tapping screws, 5 x 15 mm



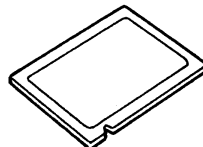
2 Screws, 6 x 14 mm



3 Protective tapes



4 Alcohol pads



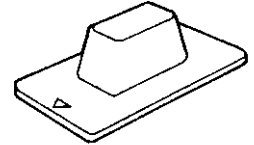
4 Clips



2 Collars



Center support



Washer



Hood label



TOOLS AND SUPPLIES REQUIRED

#2 Phillips screwdriver

Tape measure

Felt-tip pen

Shop towel

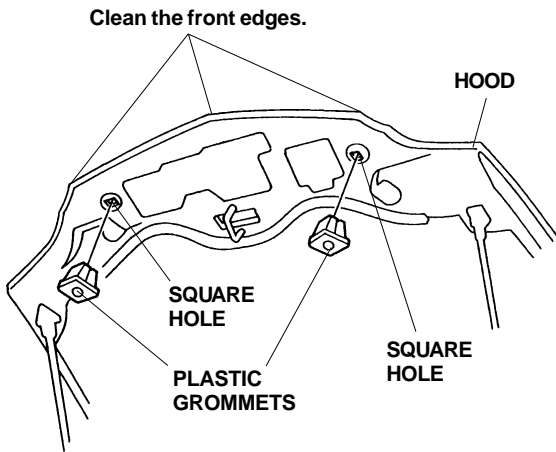
Masking tape

INSTALLATION

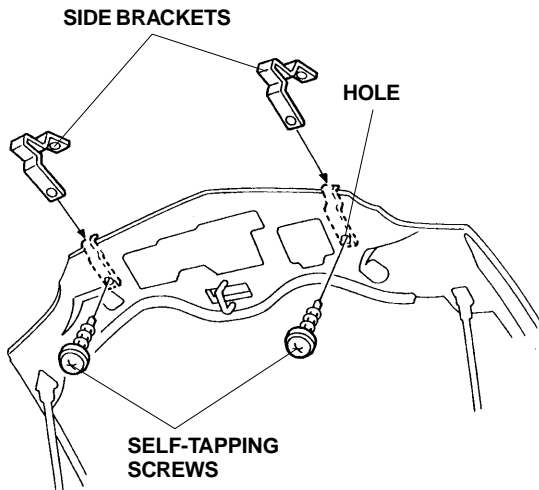
NOTE:

- Be careful not to damage the body finish when you install the air deflector.
- This air deflector should be installed only when the ambient air temperature is 60°F (15°C) or above.
- To allow the adhesive to cure, do not wash the vehicle for 24 hours.

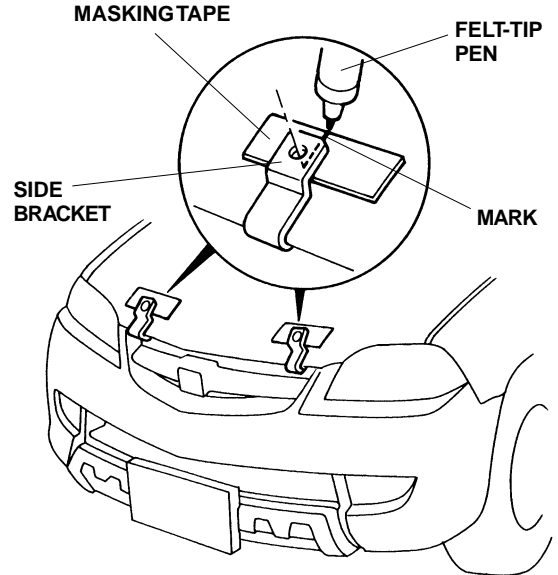
1. Open the hood. Locate the two outer square holes on the inside of the hood. Push one plastic grommet into each outer square hole.



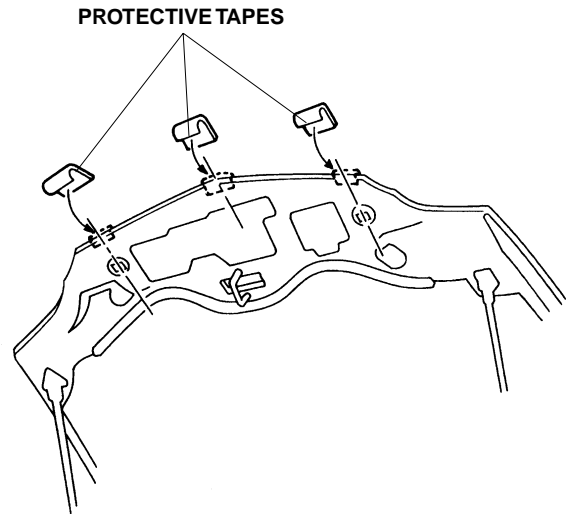
2. Clean the front edge of the hood with one of the alcohol pads included with the kit.
3. Temporarily slide the side brackets over the lip of the hood, and align the holes in the brackets with the holes in the plastic grommets. Loosely install the self-tapping screws.



4. Attach a piece of masking tape to the hood under each side bracket.

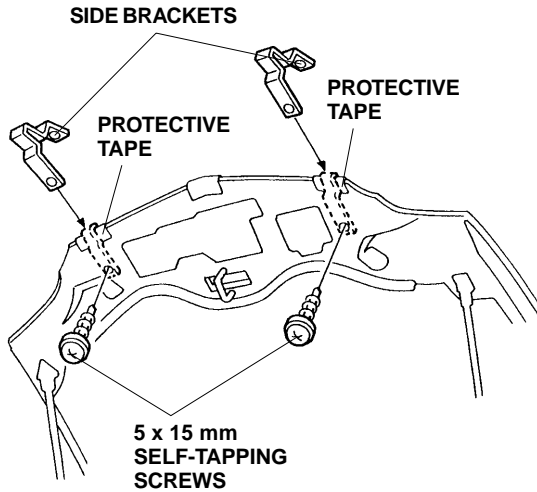


5. Using a felt-tip pen, mark the masking tape where the side bracket will rest, then remove the side brackets.
6. Attach one protective tape around the front of the hood at each marked location.

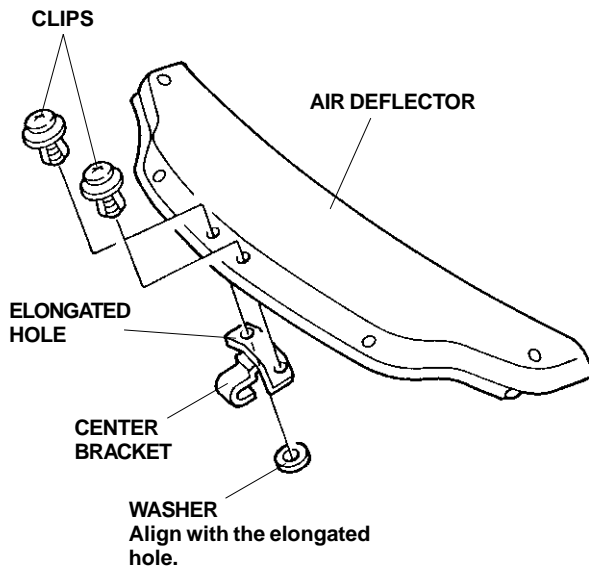


7. Attach the remaining protective tape around the center of the hood.
8. Remove the two pieces of masking tape.

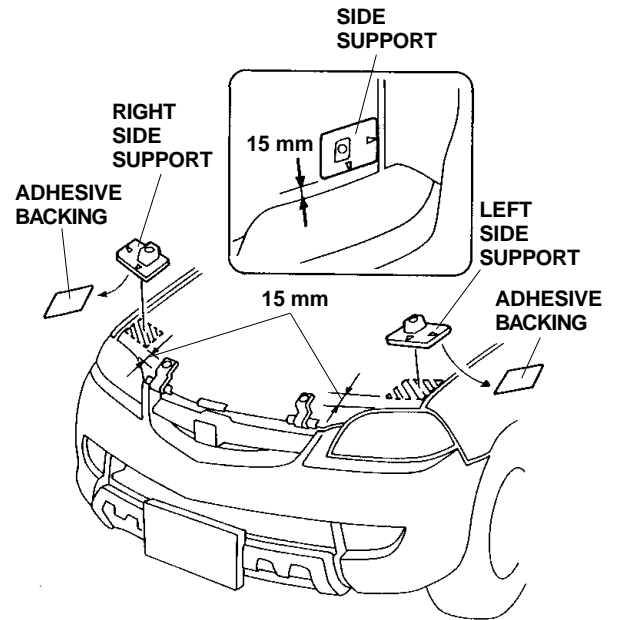
- Reinstall the two side brackets over the hood around the protective tapes, and install the two 5 x 15 mm self-tapping screws.



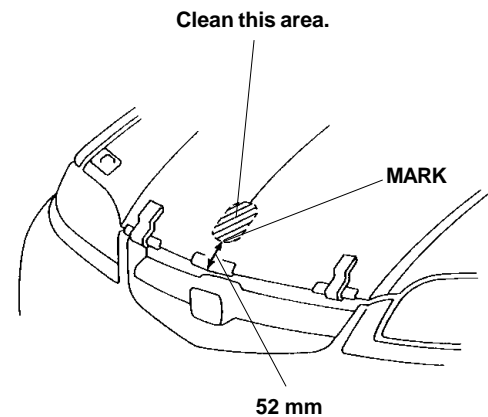
- Get the center bracket, the washer, and two clips. Attach the center bracket to the air deflector using the two clips and washer. The washer is installed over the elongated hole of the center bracket.



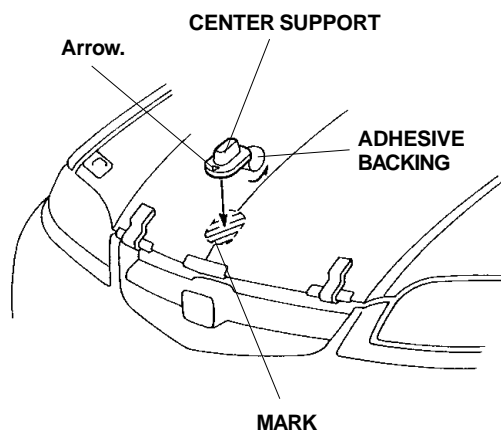
- Close the hood, and locate the areas where the side supports will attach. Using an alcohol pad, clean the hood where the side supports will attach.



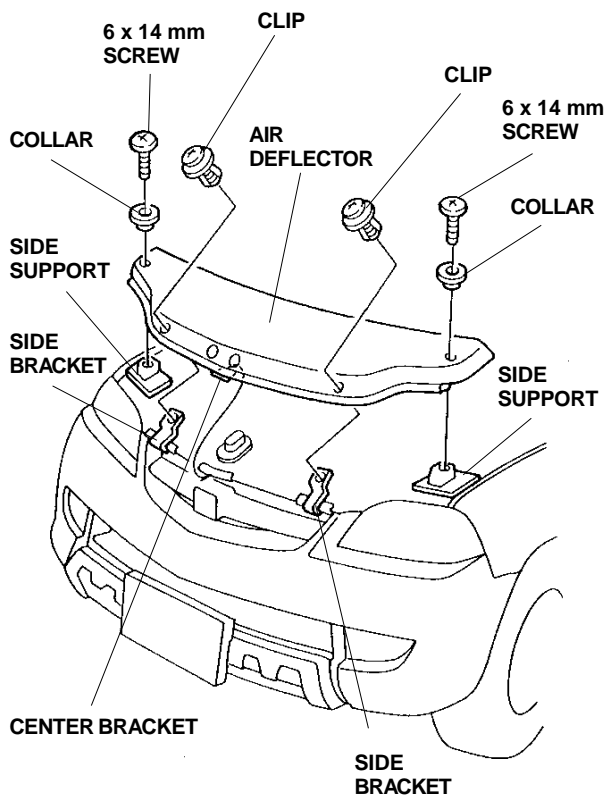
- Position the side supports with one arrow pointing forward and one arrow pointing to the outboard edge of the hood. Remove the adhesive backings, and install the side supports 15 mm from the front edge of the hood as shown.
- Measure and mark the center of the hood as shown. Using an alcohol pad, clean the area where the center support will attach.



- Remove the adhesive backing from the center support and attach it to the hood at the mark you made. The arrow on the center support should point to the front of the vehicle.

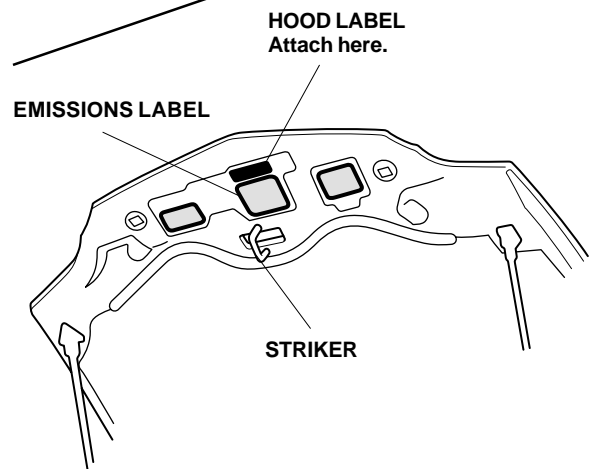
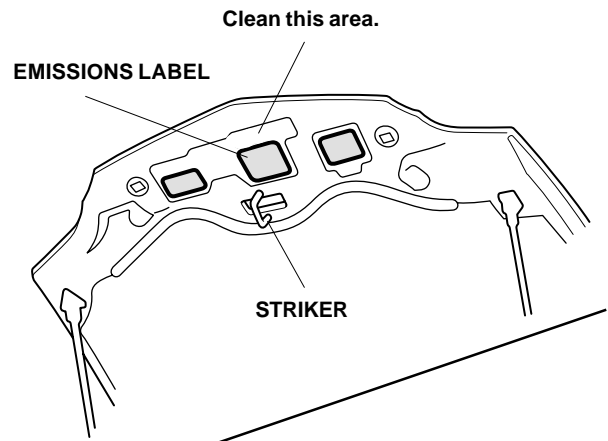


- Position the air deflector on the hood by sliding the center bracket over the center protective tape and aligning the holes in the air deflector with the holes in the brackets and supports.



- Install two clips through the air deflector and into the side brackets. Install the two 6 x 14 mm screws with collars through the air deflector and into side supports. Tighten the screws securely.

- Open the hood, and locate the emissions label near the hood striker. Using isopropyl alcohol on a shop towel, clean the area above the emissions label.



- Remove the adhesive backing from the hood label, and attach it to the hood above the emissions label. Close the hood.

NOTE: After the air deflector is installed, tell your customer not to wash the vehicle for 24 hours to give the adhesive time to cure.